

INSIGHT

2019–22 Honda Insight Hybrid Emergency Response Guide

Prepared for Fire Service, Law Enforcement, Emergency Medical, and Professional Towing Personnel

Supersedes 2019–20 Honda Insight Emergency Response Guide, dated March 2020

This guide has been prepared to assist emergency response professionals in identifying a 2019–22 Honda Insight Hybrid vehicle and safely respond to incidents involving this vehicle.

Copies of this guide and other emergency response guides are available for reference or downloading at <https://techinfo.honda.com>.

For questions, please contact the following:

USA: Your local Honda dealer or Honda Automobile Customer Service at (800) 999-1009.

Central America: Your local Honda dealer or distributor.

Honda wishes to thank emergency response professionals for their concern and efforts in protecting Honda customers and the general public.



Contents

Vehicle Identification.....	4
Vehicle Dimensions.....	6
Vehicle Description.....	7
Battery Location.....	10
Component Location.....	12
Potential Hazards.....	14
Vehicle Collision.....	15
Emergency Procedures.....	16
Emergency Procedures High-Voltage Shut Down Procedure.....	17
Emergency Procedures Extricating Occupants.....	20
Emergency Towing.....	21
Jump Starting.....	23
Vehicle Repairs.....	24



INSIGHT

HYBRID



The Honda Insight Hybrid can be identified by the emblem **Insight**, mounted on the trunk and the **HYBRID** emblem mounted on the trunk and the front fenders.

A Honda Insight Hybrid can also be identified by inspecting the VIN at the three locations shown below.

Characters 4–6 of the VIN will show **ZE4** indicating that it is a Honda Insight Hybrid.

19X**ZE4*******000001



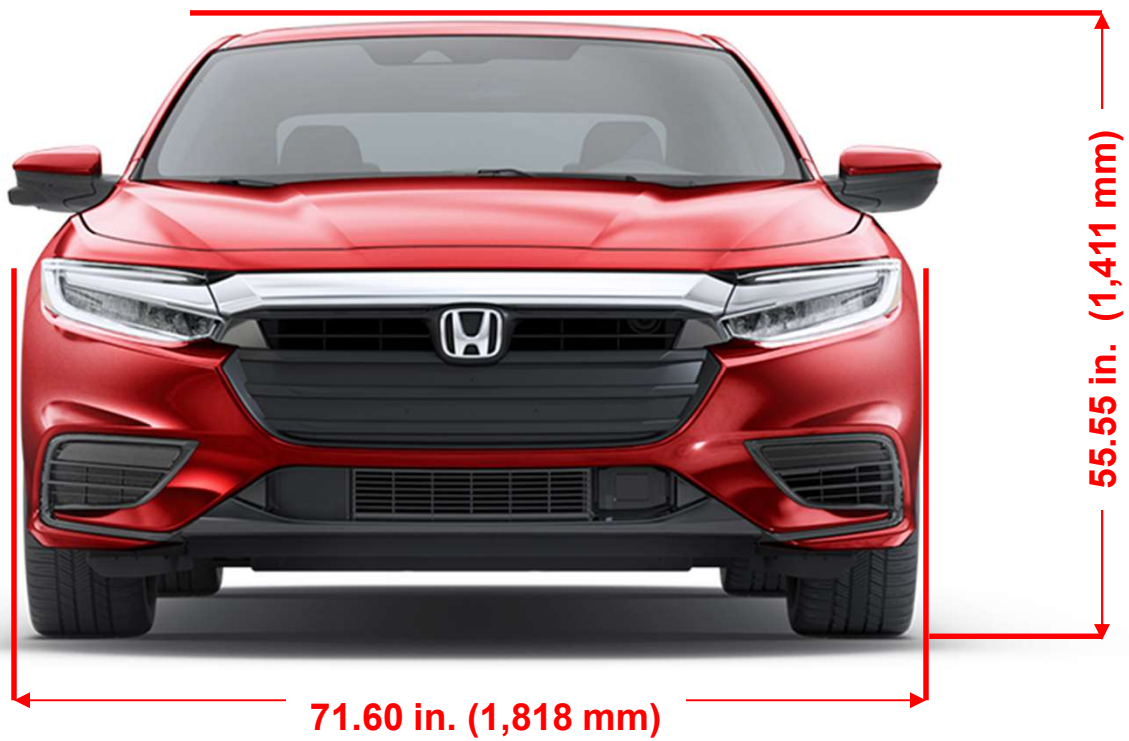
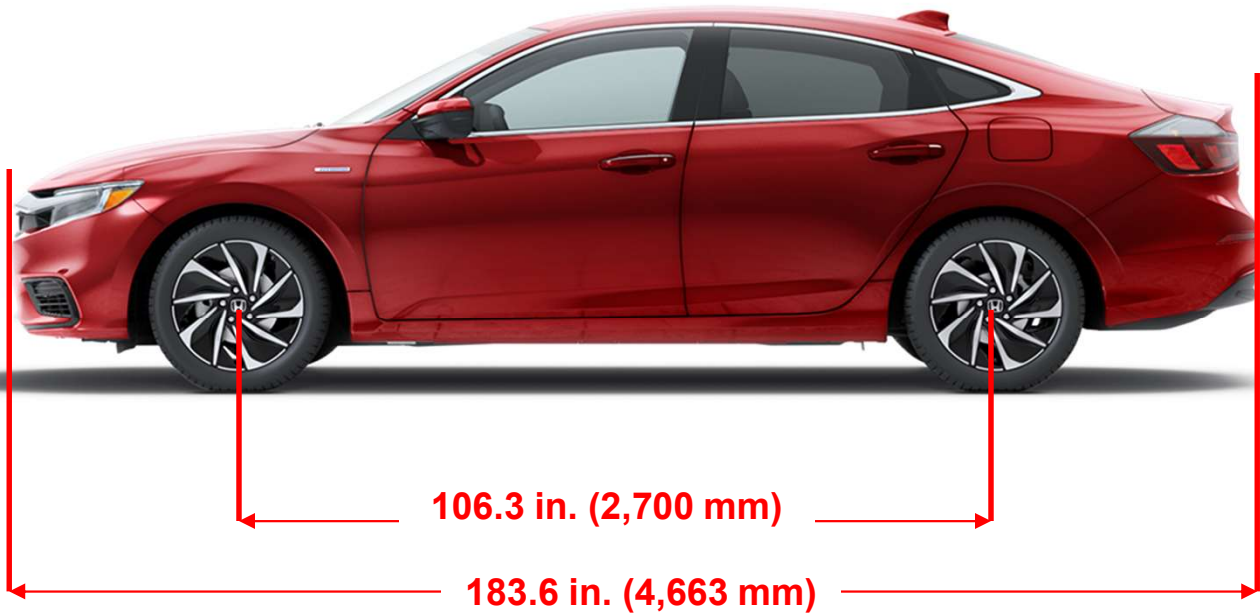
VIN plate located on the lower-right corner of the front windshield.



Stamped into the floor panel in front of the passenger seat under a plastic panel marked **FRAME NUMBER**.



Printed on the VIN label on the driver's door jamb.

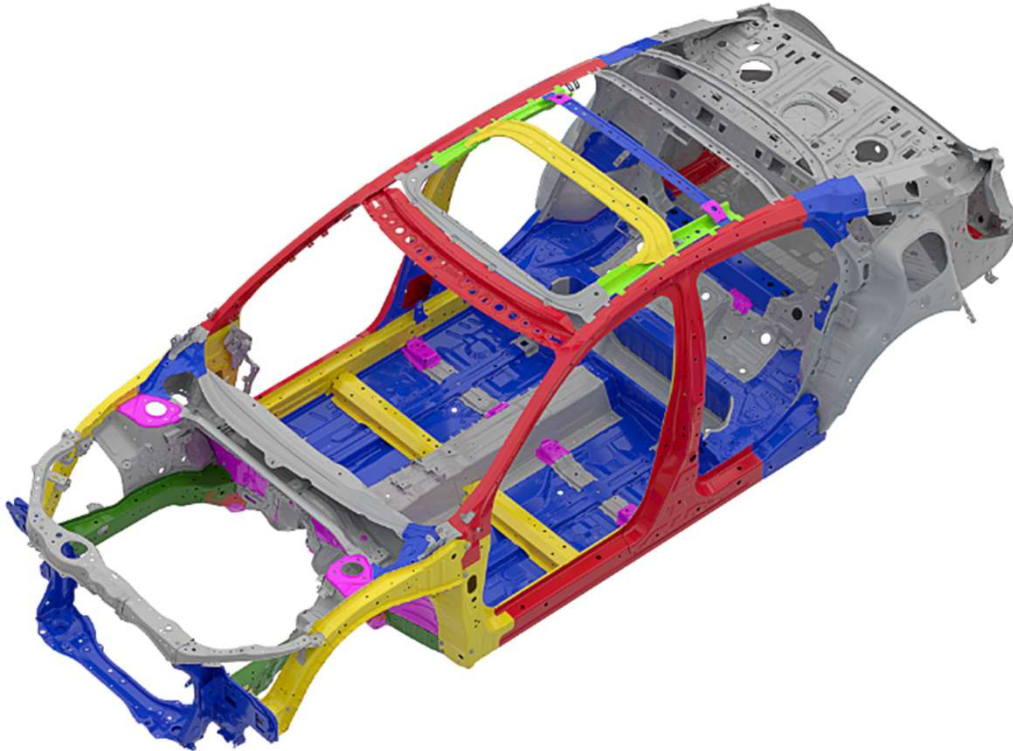


Gross Vehicle Weight Rating	
USA Models with 16 inch wheel	3,968 lbs (1,800 kg)
USA Models with 17 inch wheel	4,034 lbs (1,830 kg)
Central America Models	4,036 lbs (1,830 kg)

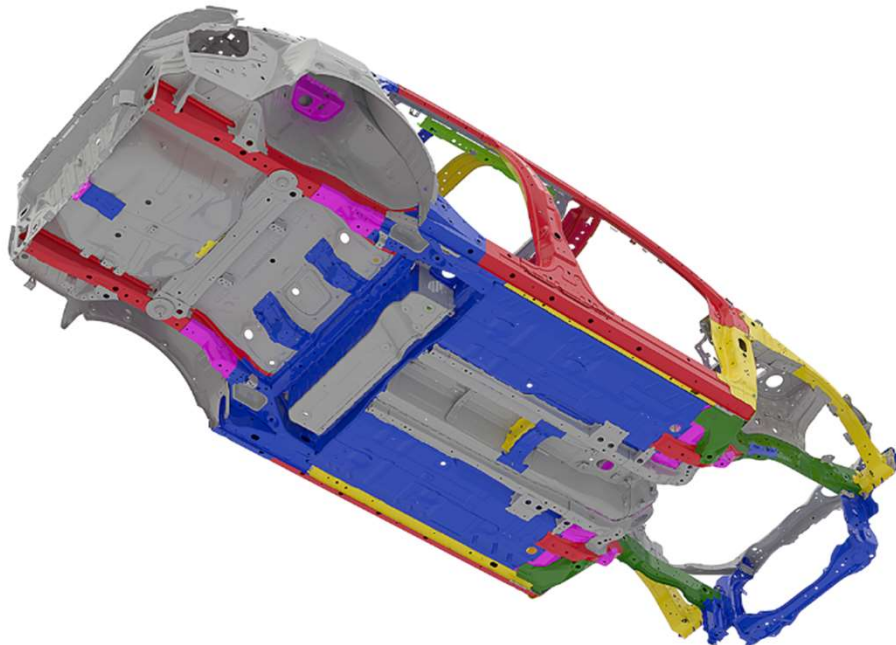
High-Strength and Ultra-High-Strength Steel

The body of the Honda Insight Hybrid is made of high-strength steel and ultra-high-strength steel indicated in the colored areas.

Upper View

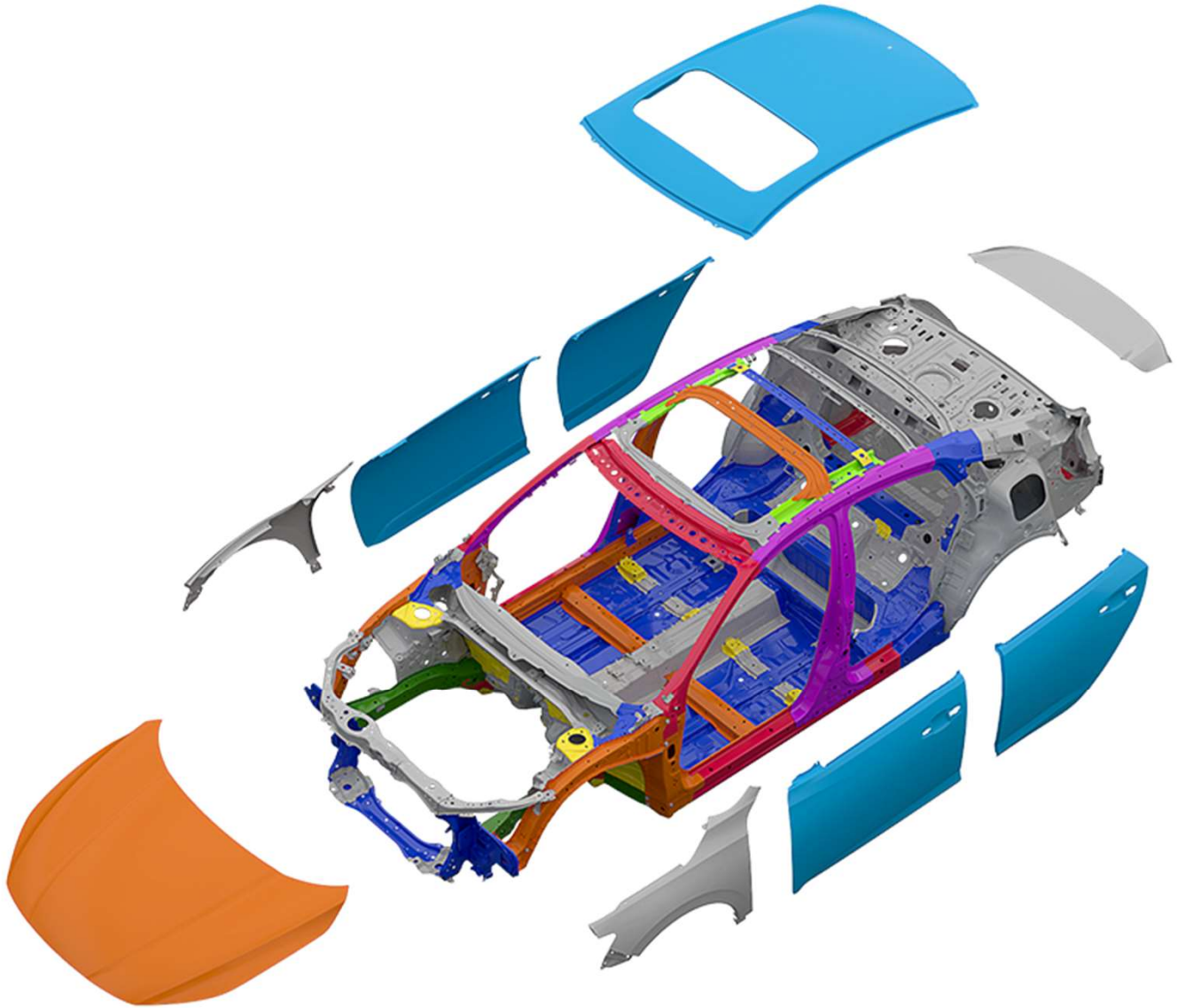


Lower View



Exterior Body Parts

Except for the aluminum hood, the exterior body parts are made of high-strength steel and ultra-high-strength steel indicated in the colored areas.



Aluminum



**340
Mpa**



**270
Mpa**

Seat Belts and Airbags

The Honda Insight Hybrid is equipped with lap/shoulder belts in all seating positions. The front seat belts are equipped with pyrotechnically activated tensioners that help tighten the seat belt in a sufficient crash.

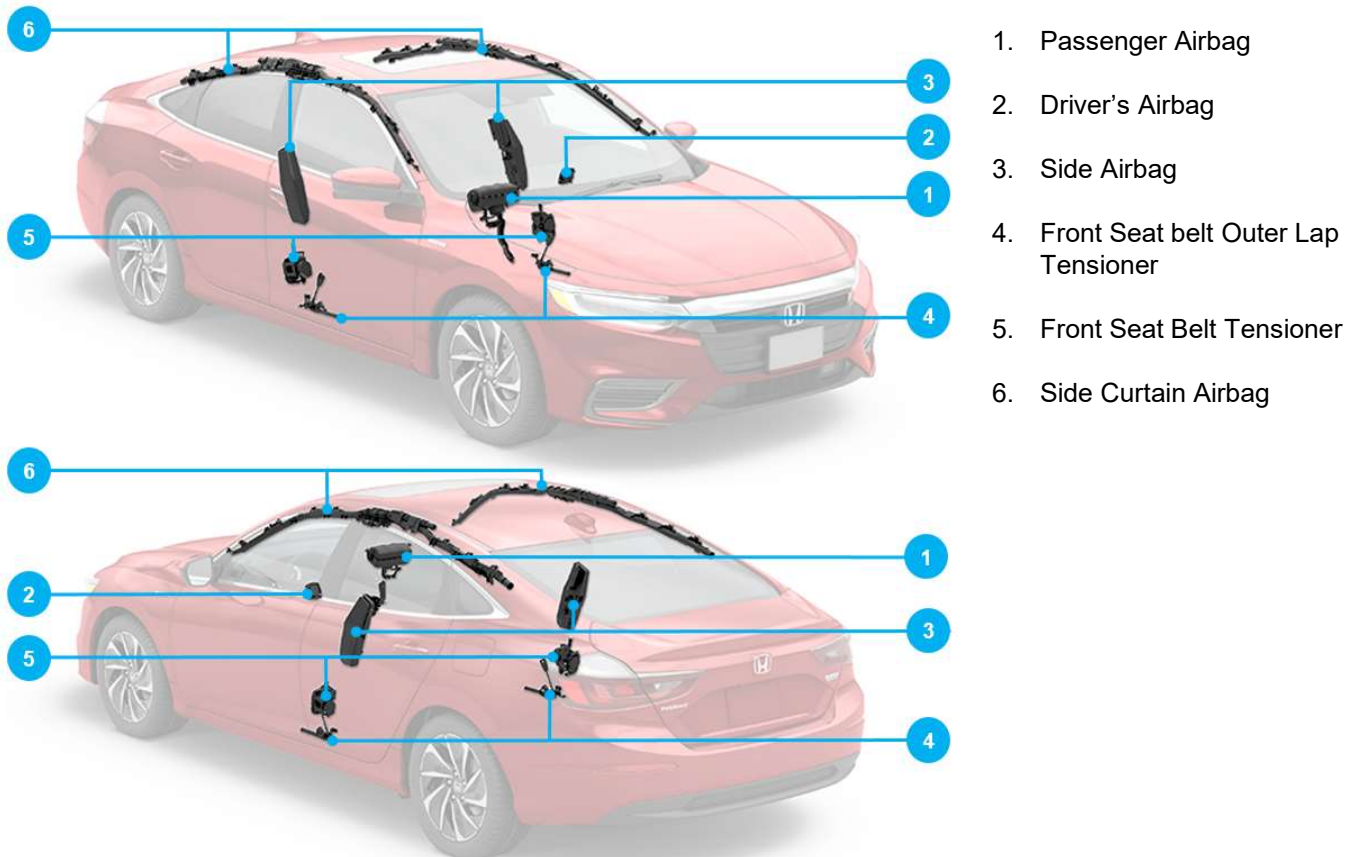
In addition, the Honda Insight Hybrid is equipped with the following airbags:

- Front Airbags - Driver/Front Passenger
- Side Airbags - Driver/Front Passenger
- Side Curtain Airbags – Driver's Side/Passenger Side (Both Rows)

In a collision severe enough to deploy one or more of the airbags, the Honda Insight Hybrid electrical system is designed to automatically open the high-voltage electrical contactors. This disconnects the high-voltage battery from the other high-voltage components and stops the flow of electricity in the high-voltage cables.

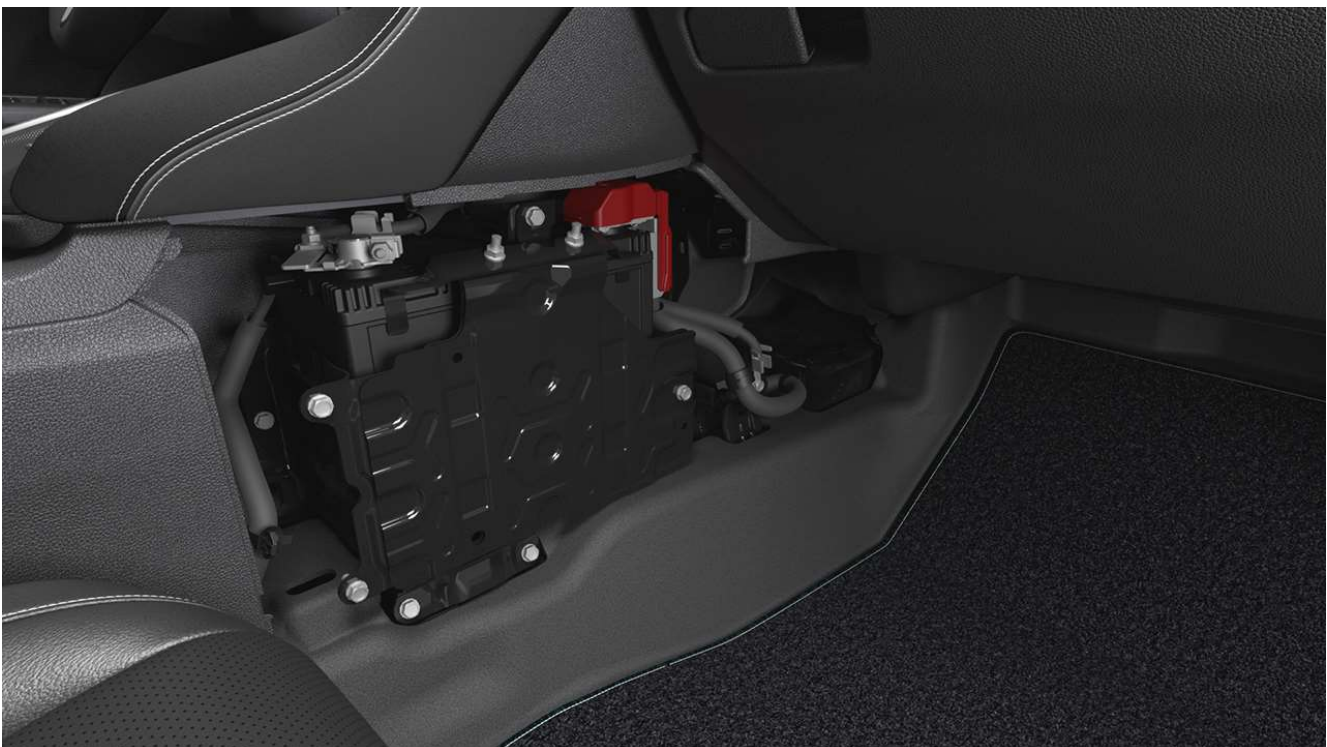
Responders should always assume, however, that the high-voltage system is powered on and take the appropriate action described later in this guide to power off the system.

It takes up to 3 minutes for the airbags and tensioners to power off after the 12-volt system has been turned off by following the emergency shutdown procedures provided later in this guide.



12-Volt Battery

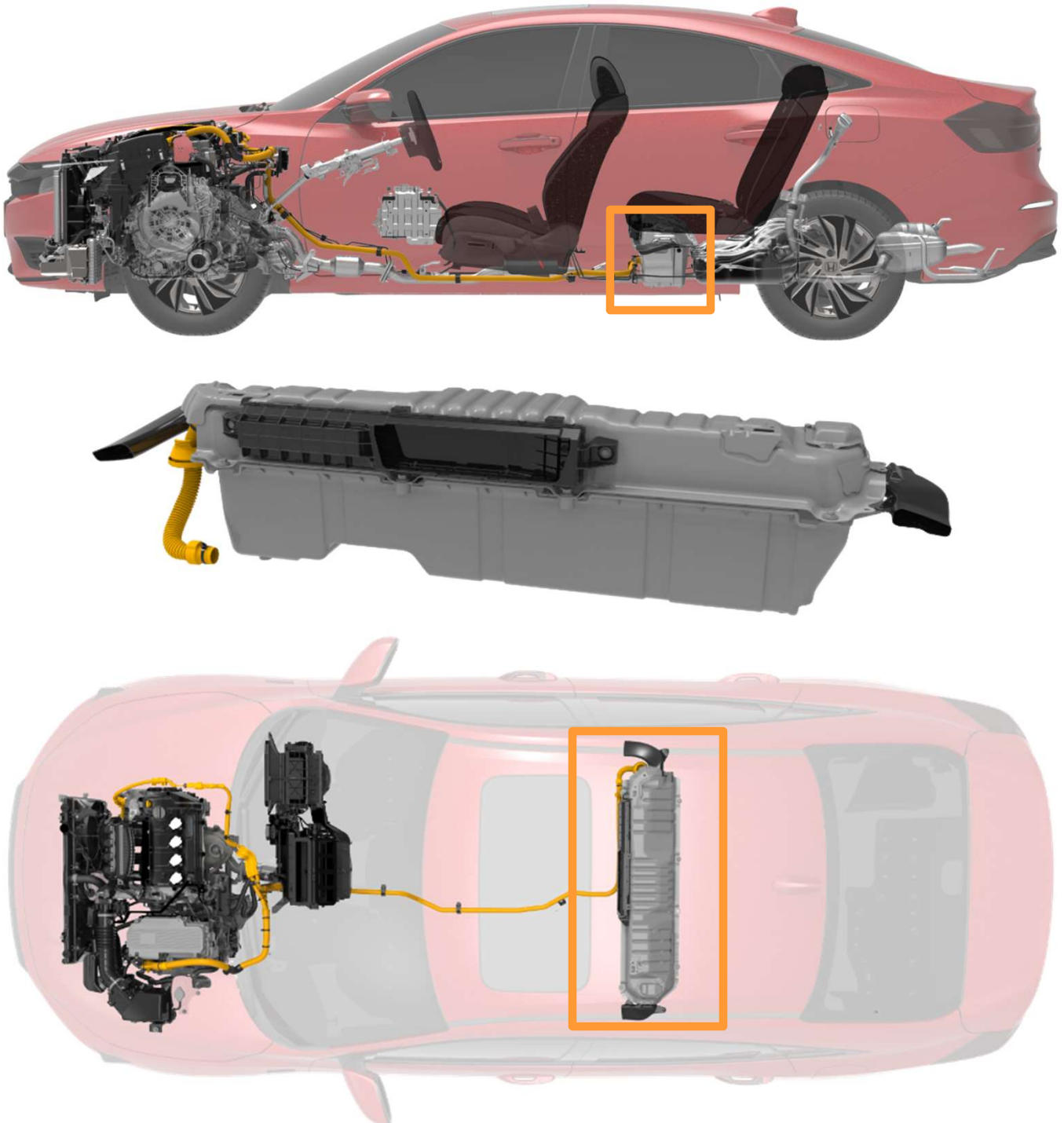
The 12-volt battery is located in the center console on the right-side. This battery powers the airbags, lights, audio system, and other standard 12-volt system components. In an emergency situation, if it is necessary to shut down the high-voltage system, it is not necessary to access the 12-volt battery. See page 17 for the high-voltage shutdown procedure.



High-Voltage Lithium-Ion Battery

In addition to a 12-volt battery, the Honda Insight Hybrid has a high-voltage lithium-ion battery located in a well-protected area below the rear seat. This means that the lithium-ion battery body is normally hidden from view. The battery pack is made up of 60 cells, totaling approximately 270 volts.

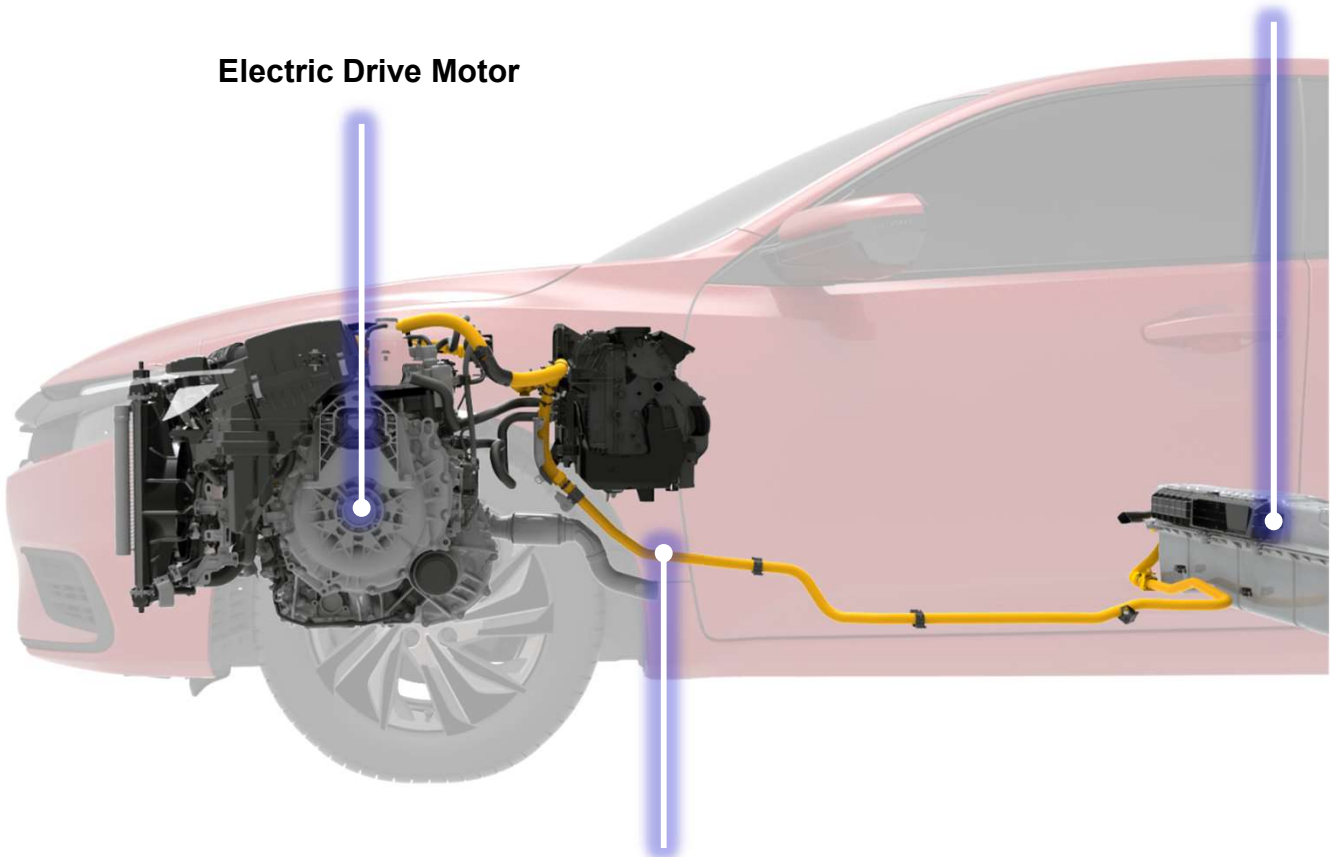
The battery electrolyte is sealed inside the lithium-ion battery. In the unlikely event that the lithium-ion battery is damaged, there is no danger of electrolyte liquid pouring out in large quantities.



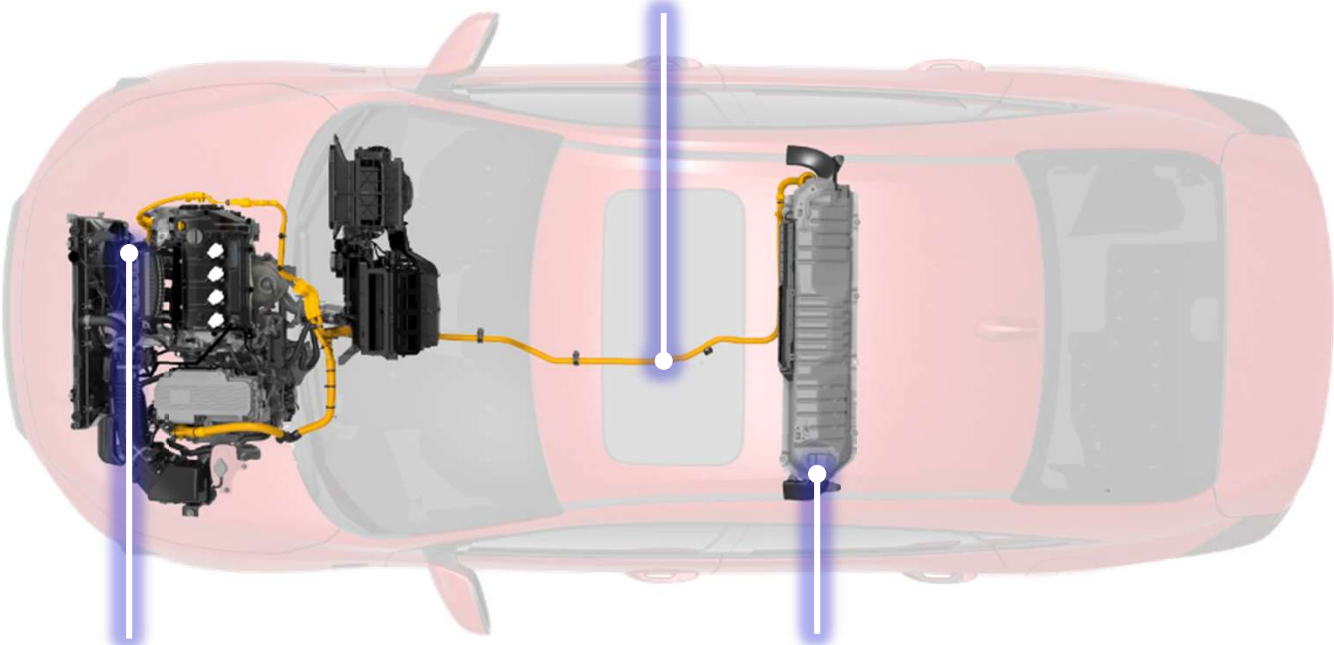
High-Voltage Components

High-Voltage Lithium-Ion Battery

Electric Drive Motor



High-Voltage Cables



**High-Voltage Air Conditioning
Compressor**

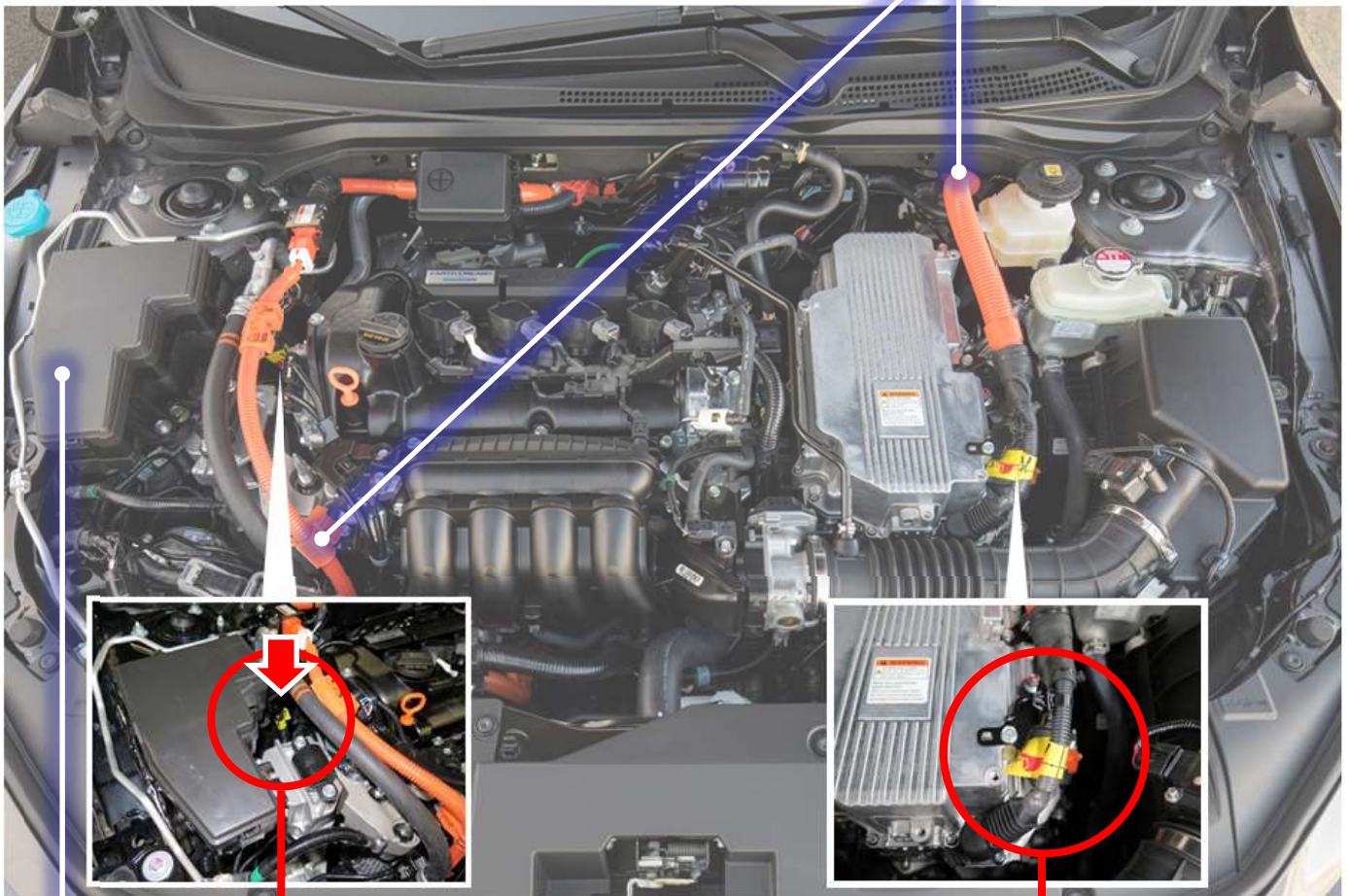
High-Voltage Lithium-Ion Battery

Key Components

High voltage flows through easy-to-identify, heavy-duty orange cables. These cables are purposely routed through areas away from the usual cut points.

There is a section of the engine room harness and the high-voltage battery cable that can be cut in the event of an emergency and the high-voltage system needs to be shut down. They can be identified by the labels as shown.

High-Voltage Cables



Fuse Box



Cut Point Labels
(Refer to page 19 for more information.)

Lithium-Ion Battery Fumes or Fire

A damaged high-voltage lithium-ion battery can emit toxic fumes and the organic solvent used as electrolyte is flammable and corrosive, so responders should wear appropriate personal protective equipment. Even after a lithium-ion battery fire appears to have been extinguished, a renewed or delayed fire can occur. The battery manufacturer cautions responders that extinguishing a lithium-ion battery fire will take a large and sustained volume of water.

Responders should always ensure that a Honda Insight Hybrid with a damaged battery is kept outdoors and far away from other flammable objects in order to minimize the possibility of collateral fire damage should the battery catch on fire.



Lithium-Ion Battery Fluid

Avoid contact with the high-voltage battery fluid. The high-voltage battery contains a flammable electrolyte that could leak as a result of a severe crash. Avoid any skin or eye contact with the electrolyte as it is corrosive. If you accidentally touch it, flush your eyes or skin with a large quantity of water for at least 5 minutes and seek medical attention immediately.

Electric Shock

Unprotected contact with any electrically charged high-voltage component can cause serious injury or death. Receiving an electric shock from a Honda Insight Hybrid, however, is highly unlikely because of the following:

- Contact with the battery module or other high-voltage components can only occur if they are damaged and the contents are exposed, or if they are accessed without following proper precautions.
- Contact with the electric motor can only occur after one or more components are removed.
- The high-voltage cables can be easily identified by their distinctive orange color, and contact with them can be avoided.

If severe damage causes high-voltage components to become exposed, responders should take appropriate precautions and wear appropriate insulated personal protective equipment.



In the event of a crash, the SRS (supplemental restraint system) unit makes a judgment based on input from the impact sensors. If the input values meet various threshold requirements, the SRS unit sends a signal to the high-voltage battery ECU (electronic control unit). The high-voltage battery ECU then turns off the high-voltage battery contactors, stopping the flow of electrical current from the high-voltage battery.

When responding to an incident involving a Honda Insight Hybrid, we recommend that emergency personnel follow their organization's standard operating procedures for assessing and dealing with vehicle emergencies.

Honda recommends that responders follow the procedures on the following pages to avoid potentially lethal shock by high voltage.



Submerged Vehicle

If a Honda Insight Hybrid is submerged or partly submerged in water, first pull the vehicle out of the water. Then, shut down the high-voltage system using one of the two procedures described on the following pages.

Aside from severe damage to the vehicle, there is no risk of an electric shock from touching the vehicle's body or framework — in or out of the water. If the high-voltage battery was submerged, you may hear noises from the battery as the cells are being discharged from shorting.



Preventing Current Flow Through High-Voltage Cables

Before attempting to rescue occupants or move a damaged Honda Insight Hybrid, you should reduce the potential for current to flow from the electric motor or the high-voltage battery through the high-voltage cables.

There are *two recommended methods* for preventing current flow. These are discussed on the following pages.

BEST METHOD for High-Voltage Shutdown

Push and hold the POWER button for 3 seconds.

This simple action turns off the vehicle and immediately shuts down the high-voltage system controllers, thereby preventing current flow into the cables. It also cuts power to the airbags and the front seat belt tensioners, though these pyrotechnic devices have up to a 3-minute deactivation time.

To prevent accidental restarting, you must remove the keyless remote from the vehicle and move it at least 20 feet away.

If you cannot locate the keyless remote, you should also do the SECOND-BEST METHOD for High-Voltage Shutdown (for preventing high-voltage current flow) on the following page.

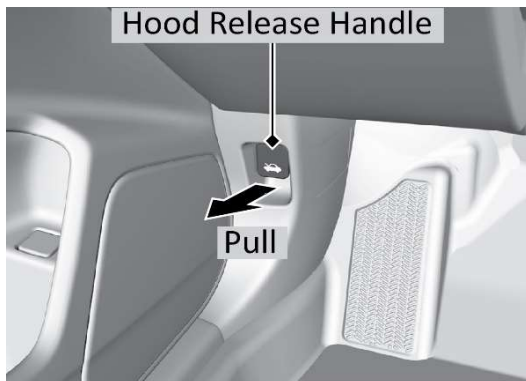


SECOND-BEST METHOD for High-Voltage Shutdown

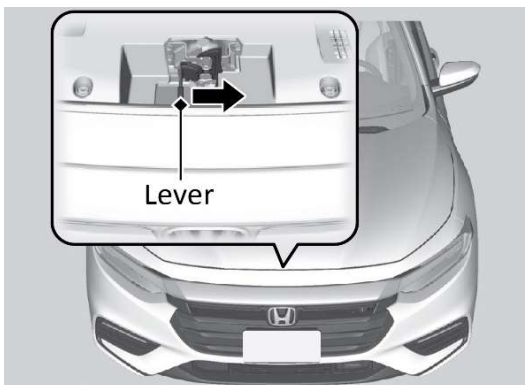
Locate and cut the negative 12-volt battery cable and the DC to DC converter cable.

Together, cutting the negative 12-volt battery cable and the DC to DC converter cable immediately turns off and shuts down the high-voltage system controllers and the engine, thereby preventing current flow into the high-voltage cables.

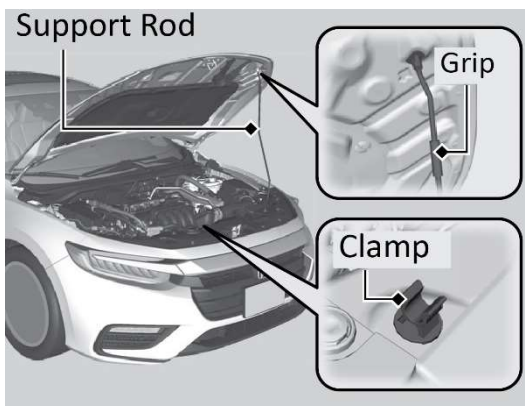
1. Pull the hood release handle located on the driver's left kick panel.



2. Push the hood latch lever (located under the front edge of the hood to the center), and raise the hood. Once you have raised the hood slightly, you can release the lever.



3. Remove the support rod from the clamp using the grip. Mount the support rod in the hood.



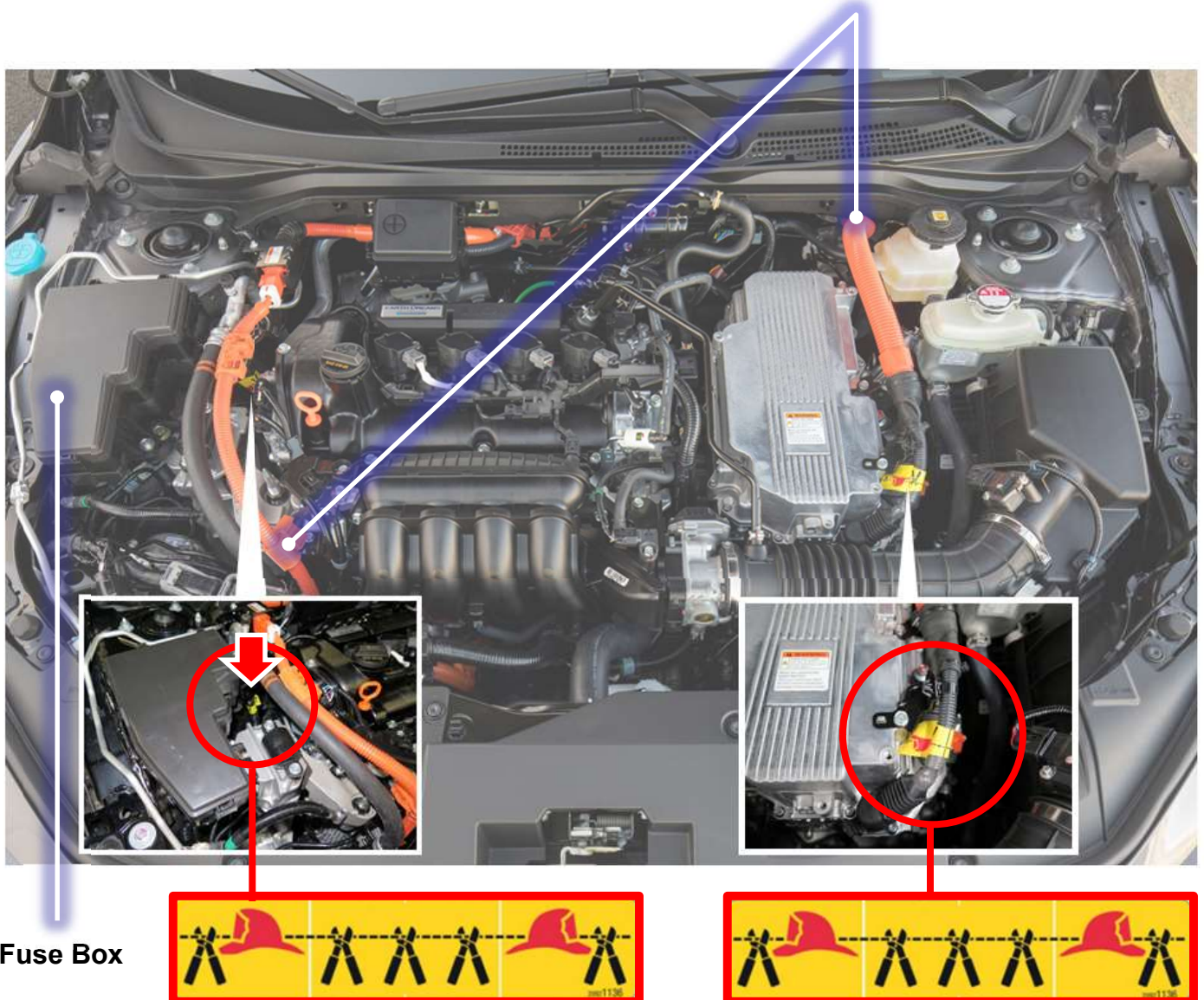
SECOND-BEST METHOD for High Voltage Shutdown

4. Locate the two cut point labels as shown, and cut them.

NOTE:

- When cutting the cables, do not allow the cutting tool to contact any surrounding metal parts; electrical arcing could occur, which can ignite any flammable vapors.
- If you cannot do either method to stop the engine and prevent current flow into the high-voltage cables, use extreme care and do not touch damaged cables as they may be electrically charged.

High-Voltage Cables



Fuse Box



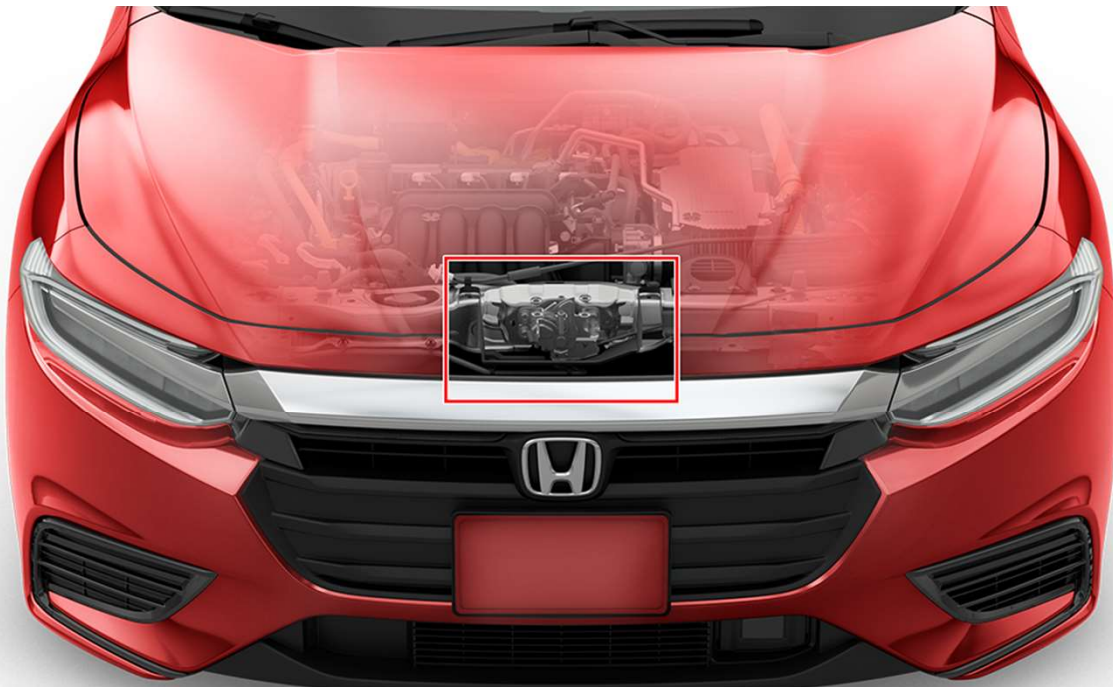
Extricating Occupants

If you need to cut the vehicle body or use Jaws-of-Life equipment to remove occupants, be sure to stay within the cut zone as shown.

Side Curtain Airbag Inflator








If you need to cut the hood to open it, be sure to stay within the cut zone as shown.



Emergency Towing

The preferred method for emergency towing is to use a flat-bed tow truck. If wheel lift equipment must be used, be sure to suspend the front wheels and release the parking brake.

Towing Method	Shift Position	Notes
 <p>Cable Type Equipment</p>		<p>Never tow this vehicle with cable-type equipment.</p>
 <p>Flat-Bed Tow Truck Equipment</p>		<ol style="list-style-type: none"> Secure the vehicle on the flat-bed tow truck. Apply the parking brake.
 <p>Front Wheel Lift Equipment</p>		<p>Turn the vehicle to the ACCESSORY or ON mode, then release the parking brake.</p>

Be aware that when rolling a Honda Insight Hybrid with the front (drive) wheels on the ground, the electric motor can produce electricity and remains a potential source of electric shock even when the high-voltage system is turned off.

⚠️ WARNING

If orange high-voltage cables or high-voltage covers have been damaged, exposing wiring, terminals, or other components, the exposed parts should never be touched. Doing so could result in serious injury or death due to severe burns or electric shock.

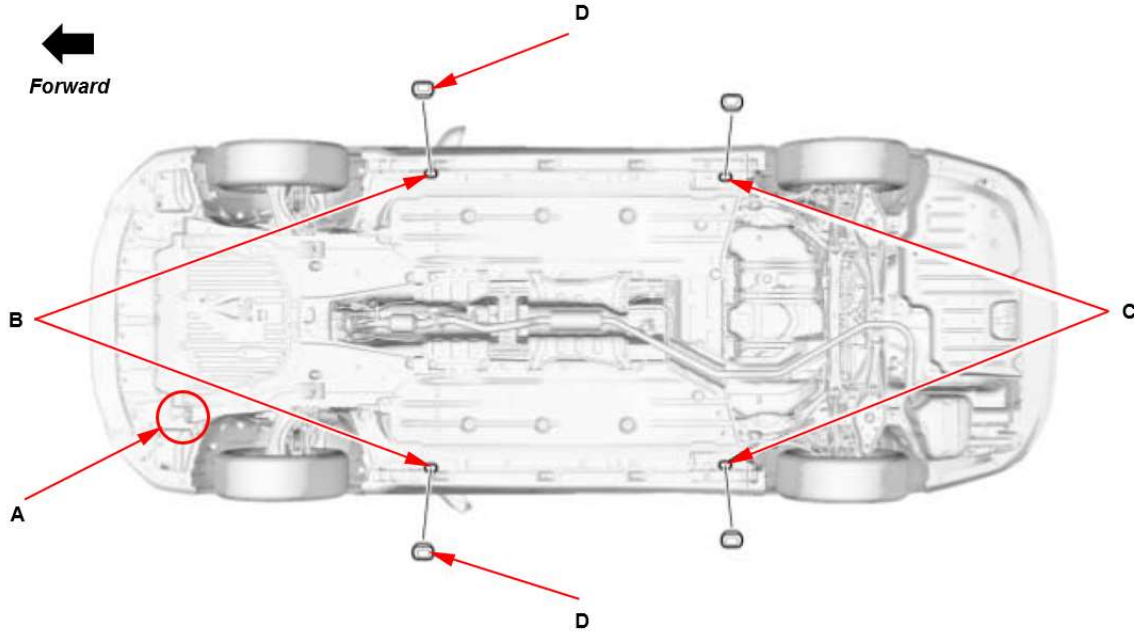
If it is not clear whether the exposed wires and terminals are high-voltage components or not, do not touch them.

If touching high-voltage cables and other high-voltage components is unavoidable, personal insulating protective equipment (insulating gloves, protective goggles, and insulating boots) should always be worn.

Securing the Vehicle

The recommended tie-down locations for securing the vehicle are indicated in red.

- Two tie-down slots are located behind the front wheels and in front of the rear wheels.
- The front tow hook is located in front of the right-front tire.
- There is no tow hook at the rear.



A	Front tow hook	C	Rear tie down hook slots
B	Front tie down hook slots	D	Rubber plugs:

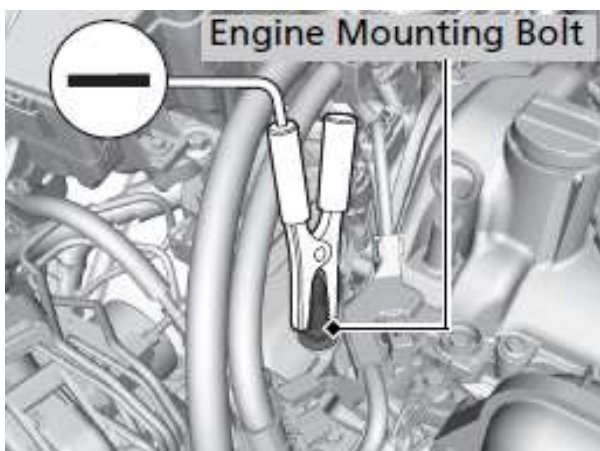
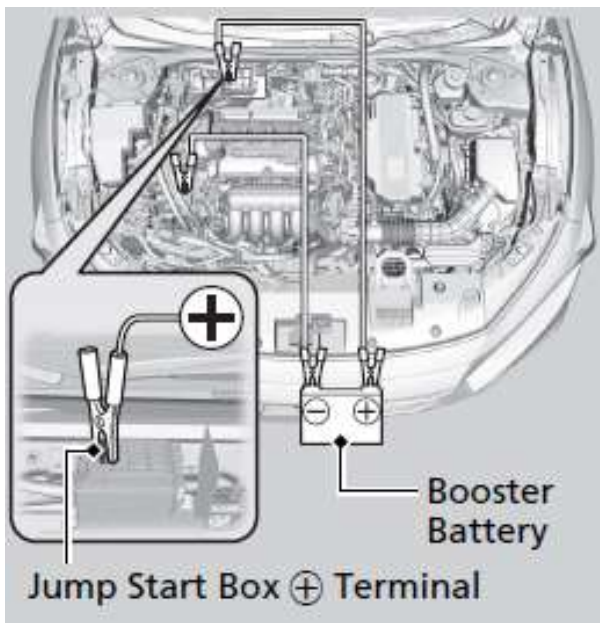
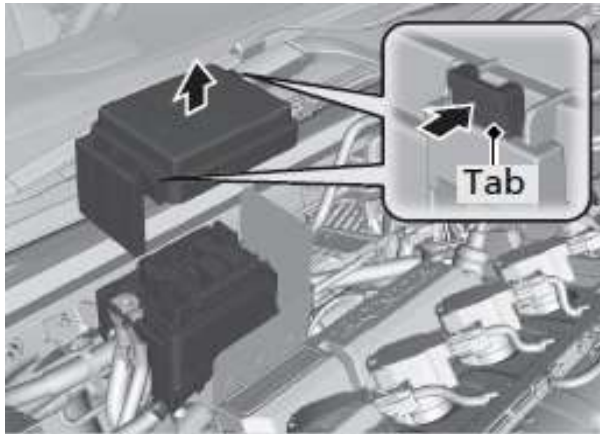


Acoustic Vehicle Alerting System

The Honda Insight Hybrid is equipped with a acoustic vehicle alerting system and alerts pedestrians that it is approaching with an audible sound when the speed is about 12 mph or less. When pushing the Honda Insight Hybrid with the vehicle in the ON mode, you will hear this sound as the vehicle is being moved.

Jump Starting

If you need to jump start or apply 12-volt battery power to the Honda Insight Hybrid, follow this procedure.



1. Push the tabs to open the jump start box cover.
2. Connect the first jumper cable to the jump start box + terminal as shown. Do not connect this jumper cable to any other part.
3. Connect the other end of the first jumper cable to the booster battery + terminal.
4. Connect the second jumper cable to the booster battery - terminal.
5. Connect the other end of the second jumper cable to the engine mounting bolt as shown. Do not connect this jumper cable to any other part.
6. If your vehicle is connected to another vehicle, start the assisting vehicle's engine and increase its rpm slightly.
7. Attempt to start the vehicle's engine. If the engine does not turn over, check that the jumper cables have good metal-to-metal contact.

NOTE: You cannot use the Honda Insight Hybrid to jump start another vehicle.



Dealer Inspection and Repair

A damaged Honda Insight Hybrid should be taken to an authorized Honda dealer for a thorough inspection and repairs. For questions or to locate an authorized Honda dealer, please contact the following:

USA: Your local Honda dealer or Honda Automobile Customer Service at (800) 999-1009.

Central America: Your local Honda dealer or distributor.



High-Voltage Battery Recycling

The high-voltage lithium-ion battery requires special handling and disposal. If disposal is necessary, please contact the following:

USA: Your local Honda dealer or American Honda's Hybrid Battery Consolidation Center at (800) 555-3497.

Central America: Your local Honda dealer or distributor.



BLUE SKIES FOR
OUR CHILDREN