

BODY EXTERIOR PAINT COLOR

< VEHICLE INFORMATION >

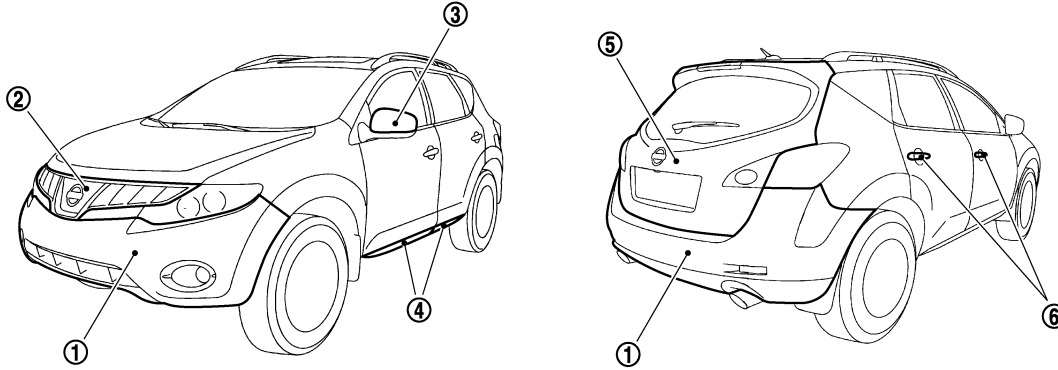
[FOR USA AND CANADA]

VEHICLE INFORMATION

BODY EXTERIOR PAINT COLOR

Body Exterior Paint Color

INFOID:000000009718032



JSKIA0574ZZ

Component		Color code	BNAB	BCAB	BK23	BKAD	BKH3	BQAB	BRAQ	BB20	
		Description	Dark Red	Grayish Brown	Silver	Gray	Black	White	Dark Blue	Bluish Black	
		Paint type ^{Note}	P	M	M	M	2S	3P	M	P	
		Hard clear coat	×	–	–	–	×	–	×	×	
1	Bumper fascia	Upper	Body color	BNAB	BCAB	BK23	BKAD	BKH3	BQAB	BRAQ	BB20
		Lower	Gray	BKR2	BKR2	BKR2	BKR2	BKR2	BKR2	BKR2	BKR2
2	Radiator grille	Chromium plate	Cr	Cr	Cr	Cr	Cr	Cr	Cr	Cr	
3	Door outside mirror	Cover	Body color	BNAB	BCAB	BK23	BKAD	BKH3	BQAB	BRAQ	BB20
4	Side guard molding	Chromium plate	Cr	Cr	Cr	Cr	Cr	Cr	Cr	Cr	
5	Back door	Body color	BNAB	BCAB	BK23	BKAD	BKH3	BQAB	BRAQ	BB20	
6	Door outside handle	Chromium plate	Cr	Cr	Cr	Cr	Cr	Cr	Cr	Cr	

NOTE:

- S: Solid
- 2S: Solid + Clear
- CS: Color clear solid
- M: Metallic
- P: 2-Coat pearl
- 3P: 3-Coat pearl
- FPM: Iron oxide pearl
- TPM: Titanium pearl metallic
- RM, RPM: Multi flex color
- TM: Micro titanium metallic
- PM: Pearl metallic

REPAIRING HIGH STRENGTH STEEL

< PRECAUTION >

[FOR USA AND CANADA]

PRECAUTION

REPAIRING HIGH STRENGTH STEEL

High Strength Steel (HSS)

INFOID:000000009718033

High strength steel is used for body panels in order to reduce vehicle weight.

Accordingly, precautions in repairing automotive bodies made of high strength steel are described below:

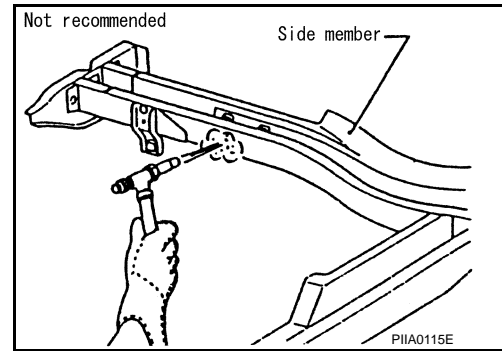
Tensile strength	Major applicable parts
370 - 590 MPa	<ul style="list-style-type: none"> • Lower front and rear hoodledge • Upper hoodledge • Side dash • Roof bow No. 2 and No.4 • 3rd crossmember (Front floor component part) • Inner sill • Rear side member assembly • Rear seat crossmember • Center rear crossmember assembly • Inner side roof rail • Inner center pillar • Inner center front bumper reinforcement • Front bumper stay • Rear side bumper bracket • Other reinforcements
780 - 1350 MPa	<ul style="list-style-type: none"> • Front side member assembly • Front side member closing plate assembly • Front side member extension • Front side member center extension • Outer roof rail reinforcement (Side body assembly component part) • 2nd crossmember (Front floor component part)

Read the following precautions when repairing HSS:

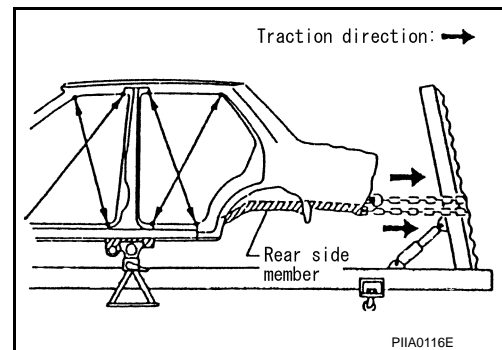
1. Additional points to consider

- The repair of reinforcements (such as side members) by heating is not recommended, because it may weaken the component. When heating is unavoidable, never heat HSS parts above 550°C (1,022°F).

Verify heating temperature with a thermometer. (Crayon-type and other similar type thermometer are appropriate.)



- When straightening body panels, use caution in pulling any HSS panel. Because HSS is very strong, pulling may cause deformation in adjacent sections of the body. In this case, increase the number of measuring points, and carefully pull the HSS panel.



A
B
C
D
E
F
G
H
I
J

BRM

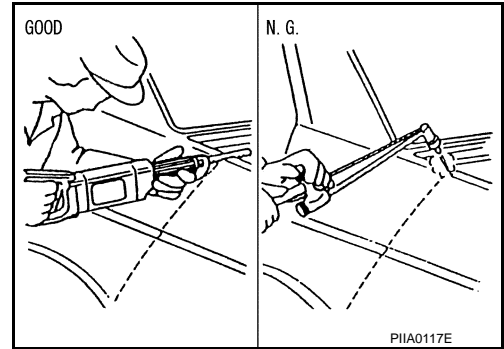
L
M
N
O
P

REPAIRING HIGH STRENGTH STEEL

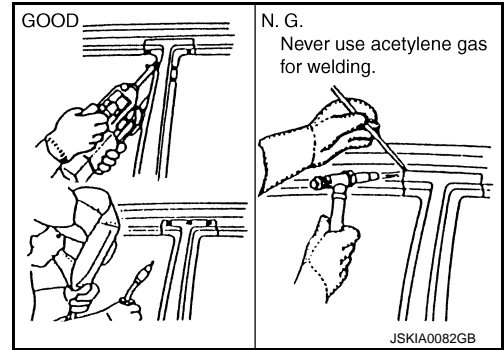
[FOR USA AND CANADA]

< PRECAUTION >

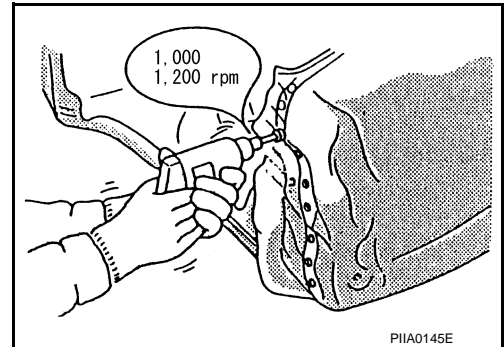
- When cutting HSS panels, avoid gas (torch) cutting if possible. Instead, use a saw to avoid weakening surrounding areas due to heat. If gas (torch) cutting is unavoidable, allow a minimum margin of 50 mm (1.97in).



- When welding HSS panels, use spot welding whenever possible in order to minimize weakening surrounding areas due to heat. If spot welding is impossible, use MIG. welding. Do not use gas (torch) for welding because it is inferior in welding strength.



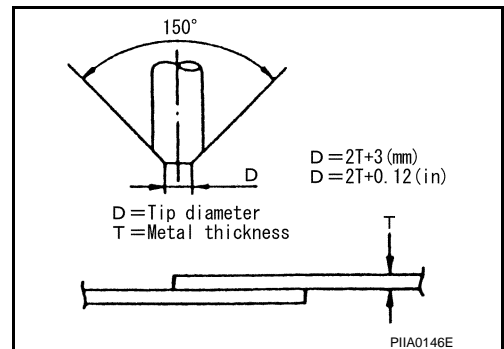
- Spot welding on HSS panels is harder than that of an ordinary steel panel. Therefore, when cutting spot welds on a HSS panel, use a low speed high torque drill (1,000 to 1,200 rpm) to increase drill bit durability and facilitate the operation.



2. Precautions in spot welding HSS

This work should be performed under standard working conditions. Always note the following when spot welding HSS:

- The electrode tip diameter must be sized properly according to the metal thickness.

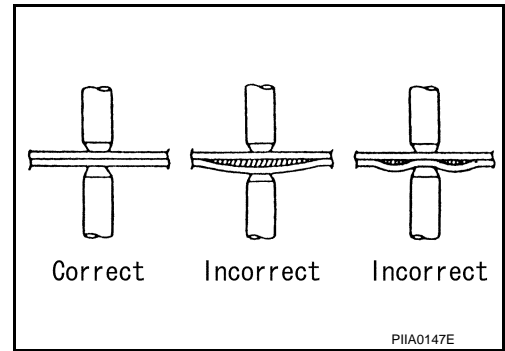


REPAIRING HIGH STRENGTH STEEL

[FOR USA AND CANADA]

< PRECAUTION >

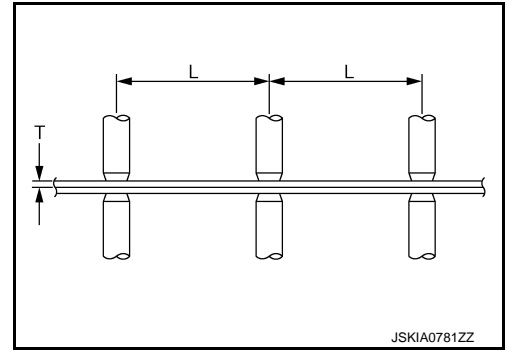
- The panel surfaces must fit flush to each other, leaving no gaps.



- Follow the specifications for the proper welding pitch.

Unit: mm (in)

Thickness (T)	Minimum pitch (L)
0.6 (0.024)	10 (0.39) or more
0.8 (0.031)	12 (0.47) or more
1.0 (0.039)	18 (0.71) or more
1.2 (0.047)	20 (0.79) or more
1.6 (0.063)	27 (1.06) or more
1.8 (0.071)	31 (1.22) or more



Handling of Ultra High Strength Steel Plate Parts

INFOID:000000009718034

PROHIBITION OF CUT AND CONNECTION

Never cut and Joint the stiffener front side member (front floor inside frame parts) because its material is high strength steel plate (ultra high strength steel plate).
The front floor assembly must be replaced if this part is damaged.

A
B
C
D
E
F
G
H
I
J

BRM

L
M
N
O
P

PREPARATION

REPAIRING MATERIAL

Foam Repair

INFOID:000000009718035

During factory body assembly, foam insulators are installed in certain body panels and locations around the vehicle. Use the following procedure(s) to replace any factory-installed foam insulators.

URETHANE FOAM APPLICATIONS

Use commercially available Urethane foam for sealant (foam material) repair of material used on vehicle.

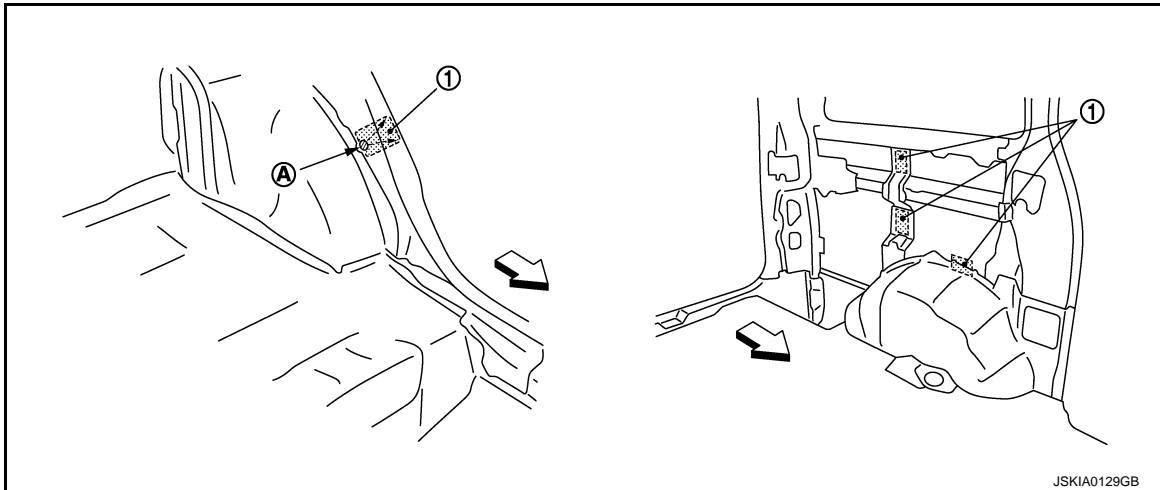
<Urethane foam for foaming agent>

3M™ Automix™ Flexible Foam 08463 or equivalent

Read instructions on product for fill procedures.

Example of foaming agent filling operation procedure

1. Fill procedures after installation of service part.
 - a. Eliminate foam material remaining on vehicle side.
 - b. Clean area after eliminating form insulator and foam material.
 - c. Install service part.
 - d. Insert nozzle into hole near fill area and fill foam material or fill enough to close gap with the service part.



1. Urethane foam
 - A. Nozzle insert hole
- ↙: Vehicle front

2. Fill procedures before installation of service part.
 - a. Eliminate foam material remaining on vehicle side.
 - b. Clean area after eliminating foam insulator and foam material.
 - c. Fill foam material on wheelhouse outer side.

REPAIRING MATERIAL

< PREPARATION >

[FOR USA AND CANADA]

- 1. Urethane foam
- A. Fill while avoiding flange area

←: Vehicle front

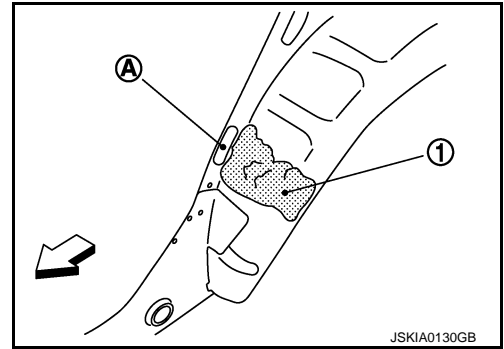
NOTE:

Fill enough to close gap with service part while avoiding flange area.

- d. Install service part.

NOTE:

Refer to label for information on working times.



A
B
C
D
E
F
G
H
I
J
L
M
N
O
P

BRM

BODY COMPONENT PARTS

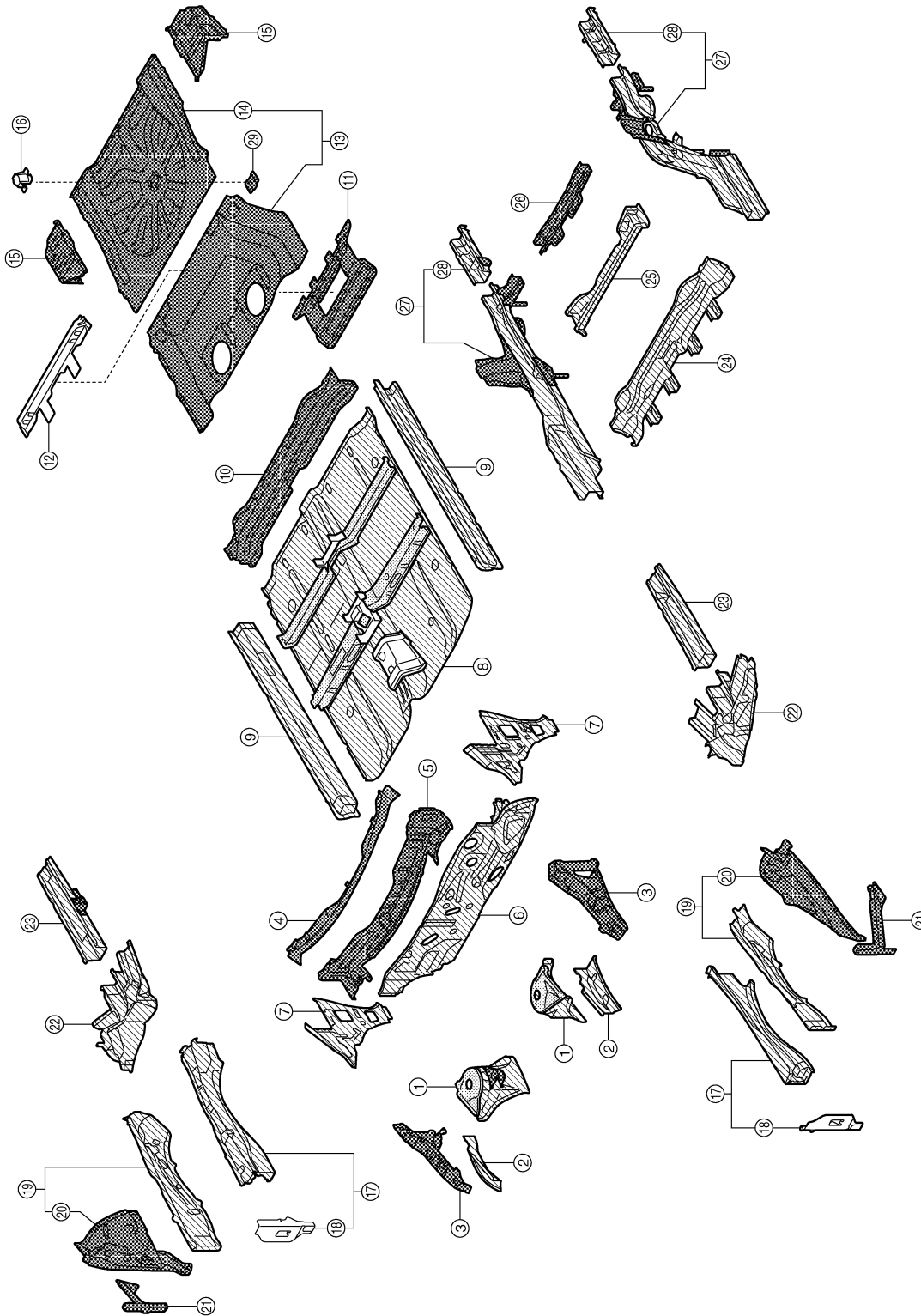
< PREPARATION >

[FOR USA AND CANADA]

BODY COMPONENT PARTS

Underbody Component Parts

INFOID:00000009718036



- | | | |
|----------------------------------|-----------------------------|-------------------------------------|
| 1. Lower rear hoodedge (RH & LH) | 2. Upper hoodedge (RH & LH) | 3. Hoodedge reinforcement (RH & LH) |
| 4. Center cowl top | 5. Upper dash | 6. Lower dash |
| 7. Side dash (RH & LH) | 8. Front floor | 9. Inner sill (RH & LH) |


JSKIA1107ZZ


BODY COMPONENT PARTS


[FOR USA AND CANADA]

< PREPARATION >

- | | | | |
|--|--|--|---|
| 10. Rear floor front extension | 11. 2nd seat mounting bracket | 12. Rear seat back support | |
| 13. Rear floor front | 14. Rear floor rear | 15. Rear floor side (RH & LH) | A |
| 16. Spare tire clamp bracket | 17. Front side member assembly (RH & LH) | 18. Front side member connector assembly (RH & LH) | |
| 19. Front side member closing plate assembly (RH & LH) | 20. Lower front hoodledge (RH & LH) | 21. Side radiator core support (RH & LH) | B |
| 22. Front side member extension (RH & LH) | 23. Front side member center extension (RH & LH) | 24. Rear seat crossmember | C |
| 25. Center rear crossmember assembly | 26. Spare wheel crossmember | 27. Rear side member assembly (RH & LH) | |
| 28. Rear side member extension (RH & LH) | 29. Spare wheel clamp reinforcement | | D |

 Both sided anti-corrosive precoated steel sections

 High strength steel (HSS) sections

 Both sided anti-corrosive steel and HSS sections

NOTE:

For the parts without a number described in the figure, it is supplied only with the assembly part that the part is included with.

A
B
C
D
E
F
G
H
I
J
L
M
N
O
P

BRM

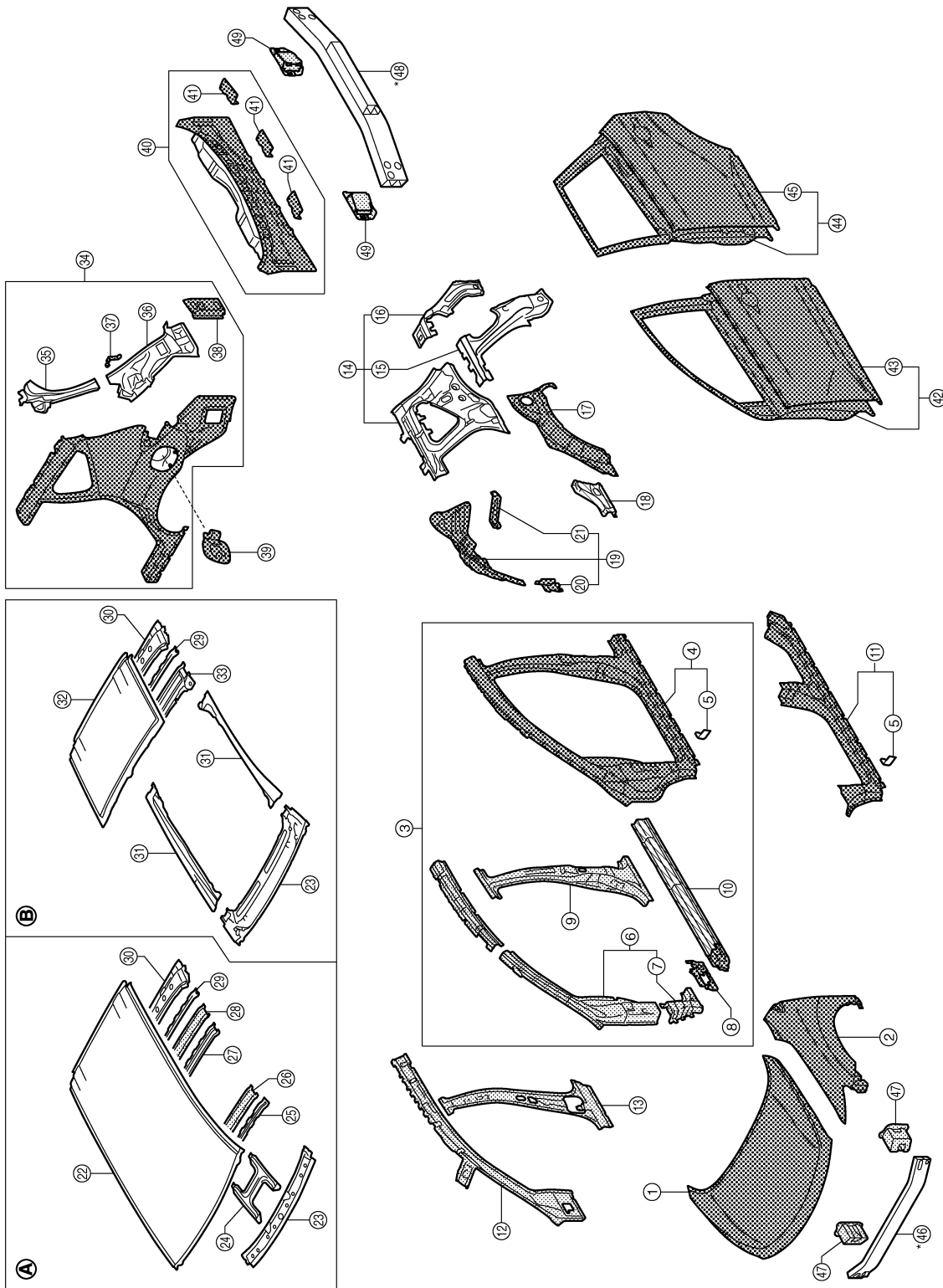
BODY COMPONENT PARTS

< PREPARATION >

[FOR USA AND CANADA]

Body Component Parts

INFOID:00000009718037



JSKIA0577ZZ

- | | | |
|---|--|---|
| 1. Hood | 2. Front fender (RH & LH) | 3. Side body assembly (RH & LH) |
| 4. Outer front side body (RH & LH) | 5. Front fender bracket assembly (RH & LH) | 6. Front pillar hinge reinforcement (RH & LH) |
| 7. Lower front pillar hinge brace (RH & LH) | 8. Lower front pillar reinforcement assembly (RH & LH) | 9. Center pillar reinforcement (RH & LH) |


BODY COMPONENT PARTS

[FOR USA AND CANADA]

< PREPARATION >

- | | | | |
|--|---|--|---|
| 10. Outer sill reinforcement (RH & LH) | 11. Outer sill (RH & LH) | 12. Inner side roof rail (RH & LH) | |
| 13. Inner center pillar (RH & LH) | 14. Inner rear pillar (RH & LH) | 15. Inner rear pillar reinforcement (RH & LH) | A |
| 16. Back pillar reinforcement assembly (RH & LH) | 17. Outer rear wheelhouse (RH & LH) | 18. Outer rear sill reinforcement (RH & LH) | B |
| 19. Inner rear wheelhouse (RH & LH) | 20. Inner rear wheelhouse front extension (RH & LH) | 21. Inner rear wheelhouse rear extension (RH & LH) | |
| 22. Roof | 23. Front roof rail | 24. Roof reinforcement assembly | C |
| 25. Roof bow No. 1 | 26. Roof bow No. 2 | 27. Roof bow No. 3 | |
| 28. Roof bow No. 4 | 29. Roof bow No. 5 | 30. Rear roof rail | |
| 31. Side roof reinforcement (RH & LH) | 32. Rear roof | 33. Rear sunroof reinforcement assembly | D |
| 34. Rear fender assembly (RH & LH) | 35. Outer back pillar (RH & LH) | 36. Rear combination lamp base (RH & LH) | |
| 37. Rear fascia rear bracket (RH & LH) | 38. Rear combination lamp base extension (RH & LH) | 39. Fuel filler lid | E |
| 40. Rear panel assembly | 41. Upper rear bumper retainer | 42. Front door assembly (RH & LH) | |
| 43. Outer front door panel (RH & LH) | 44. Rear door assembly (RH & LH) | 45. Outer rear door panel (RH & LH) | F |
| 46. Inner front bumper center reinforcement | 47. Front bumper stay (RH & LH) | 48. Inner center rear bumper reinforcement | |
| 49. Rear side bumper bracket (RH & LH) | | | G |
| A. Standard roof | B. With sunroof | | |

 Both sided anti-corrosive precoated steel sections

 High strength steel (HSS) sections

 Both sided anti-corrosive steel and HSS sections

*: Aluminum portion

NOTE:

For the parts without a number described in the figure, it is supplied only with the assembly part that the part is included with.

A
B
C
D
E
F
G
H
I
J

BRM

L
M
N
O
P

REMOVAL AND INSTALLATION

CORROSION PROTECTION

Description

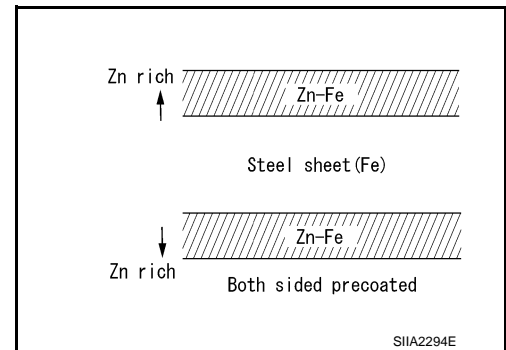
INFOID:000000009718038

To provide improved corrosion prevention, the following anti-corrosive measures have been implemented in NISSAN production plants. When repairing or replacing body panels, it is necessary to use the same anti-corrosive measures.

ANTI-CORROSIVE PRECOATED STEEL (GALVANNEALED STEEL)

To improve repairability and corrosion resistance, a new type of anti-corrosive precoated steel sheet has been adopted replacing conventional zinc-coated steel sheet.

Galvannealed steel is electroplated and heated to form Zinc-iron alloy, which provides excellent and long term corrosion resistance with cationic electrodeposition primer.



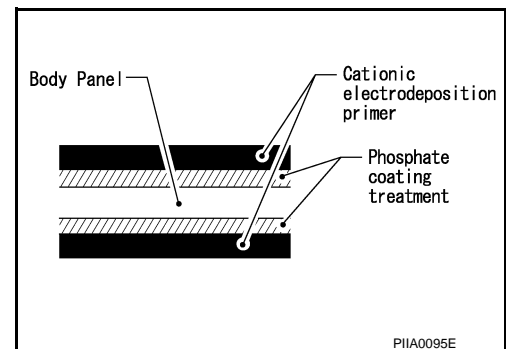
Nissan Genuine Service Parts are fabricated from galvannealed steel. Therefore, it is recommended that GENUINE NISSAN PARTS or equivalent be used for panel replacement to maintain the anti-corrosive performance built into the vehicle at the factory.

PHOSPHATE COATING TREATMENT AND CATIONIC ELECTRODEPOSITION PRIMER

A phosphate coating treatment and a cationic electrodeposition primer, which provide excellent corrosion protection, are employed on all body components.

CAUTION:

Confine paint removal during welding operations to an absolute minimum.



Nissan Genuine Service Parts are also treated in the same manner. Therefore, it is recommended that GENUINE NISSAN PARTS or an equivalent be used for panel replacement to maintain anti-corrosive performance built into the vehicle at the factory.

Anti-corrosive Wax

INFOID:000000009718039

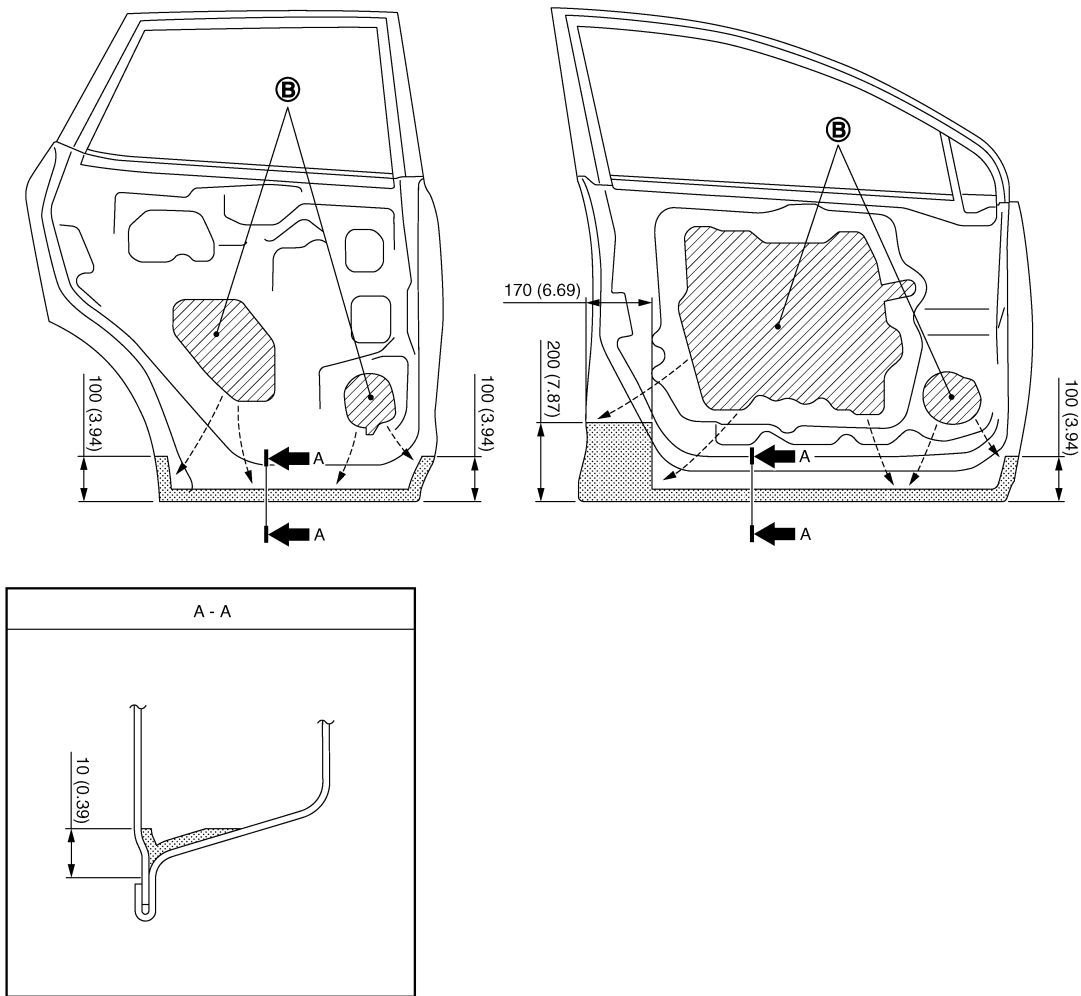
To improve corrosion resistance, anti-corrosive wax is applied inside the body sill and inside other closed sections. Accordingly, when replacing these parts, be sure to apply anti-corrosive wax to the appropriate areas of the new parts. Select an excellent anti-corrosive wax which will penetrate after application and has a long shelf life.

DOOR

CORROSION PROTECTION


< REMOVAL AND INSTALLATION >

[FOR USA AND CANADA]



JSKIA0552GB

B. Nozzle insert hole

: Anti-corrosive wax coated portions

Undercoating

INFOID:000000009718040

The underside of the floor and wheelhouse are undercoated to prevent rust, vibration, noise and stone chipping. Therefore, when such a panel is replaced or repaired, apply undercoating to that part. Use an undercoating which is rust resistant, soundproof, vibration-proof, shock-resistant, adhesive, and durable.

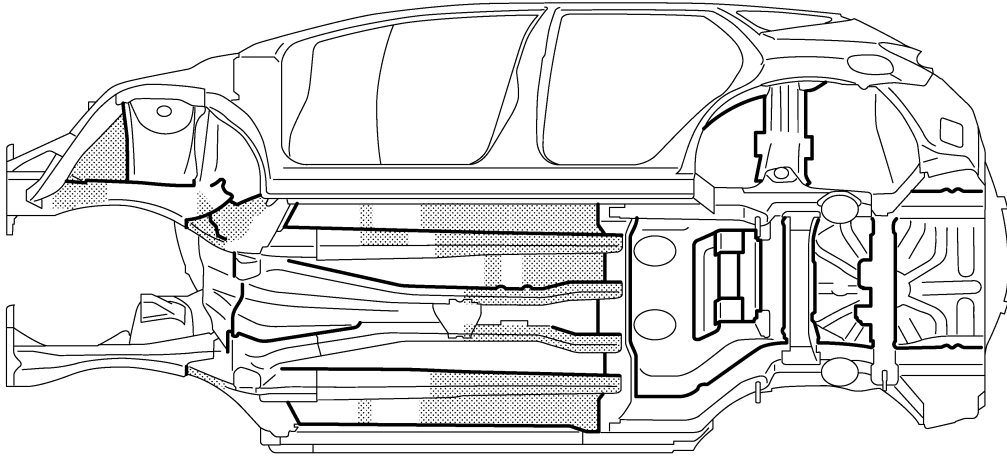
Precautions in Undercoating

1. Never apply undercoating to any place unless specified (such as the areas above the muffler and three way catalyst that are subjected to heat).
2. Never undercoat the exhaust pipe or other parts that become hot.
3. Never undercoat rotating parts.
4. Apply bitumen wax after applying undercoating.
5. After putting seal on the vehicle, put undercoating on it.


A
B
C
D
E
F
G
H
I
J

BRM

L
M
N
O
P



JSKIA1606ZZ

 Undercoated areas

 Sealed portions

Stone Guard Coat

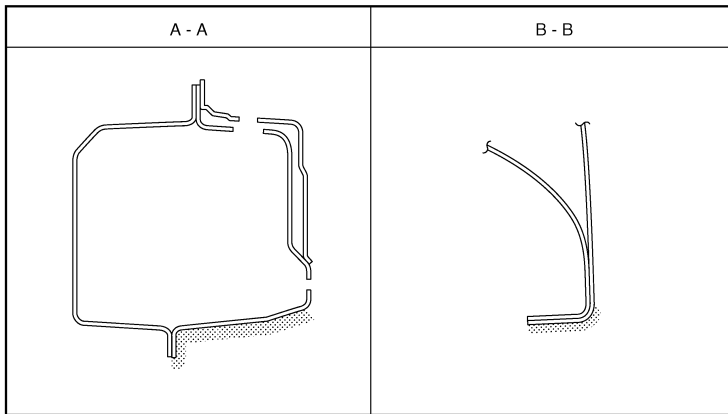
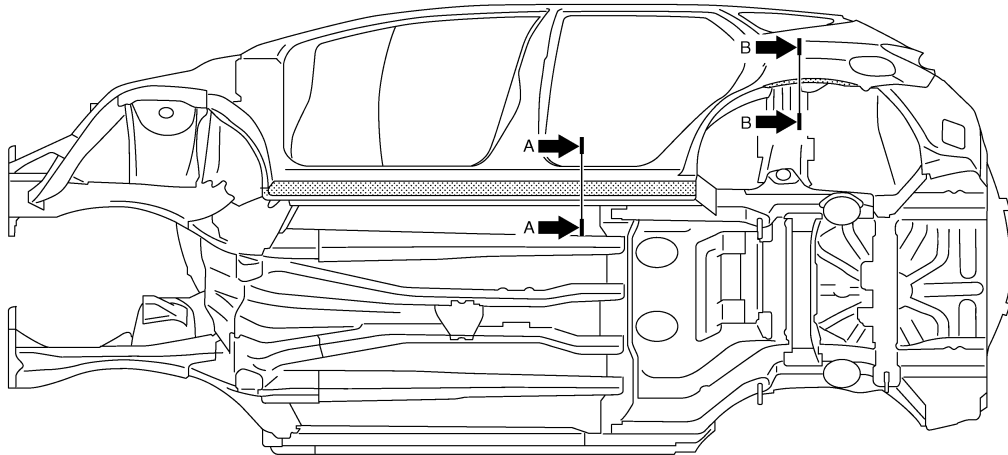
INFOID:000000009718041

To prevent damage caused by stones, the lower outer body panel (fender, door, etc.) have an additional layer of Stone Guard Coating over the ED primer coating. When replacing or repairing these panels, apply Stone Guard coating to the same portions as before. Use a coating which is rust preventive, durable, shock-resistant and has a long shelf life.


CORROSION PROTECTION

< REMOVAL AND INSTALLATION >

[FOR USA AND CANADA]



JSKIA0554ZZ

 Stone guard coated portions

Body Sealing

INFOID:000000009718042

The following figure shows the areas that are sealed at the factory. Sealant that is applied to these areas should be smooth and free from cuts or gaps. Care should be taken not to apply an excess amount of sealant and not to allow other unaffected parts to come into contact with the sealant.

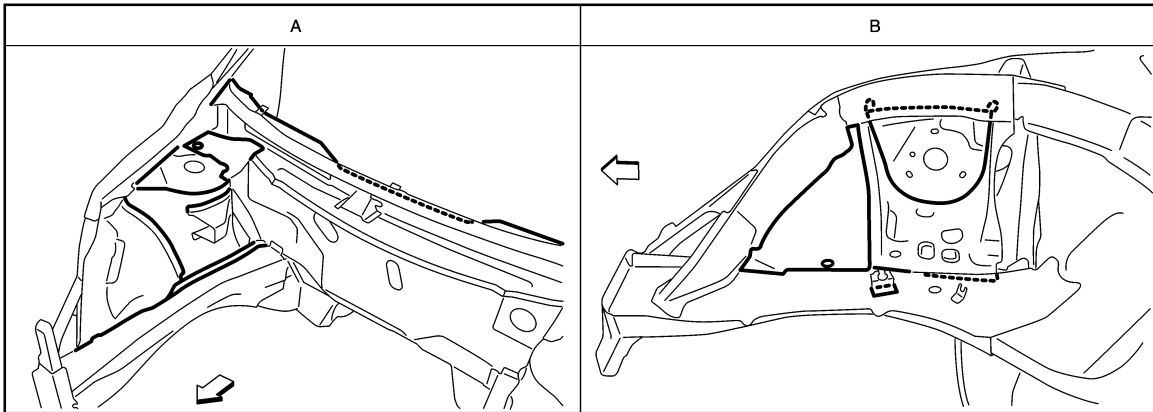
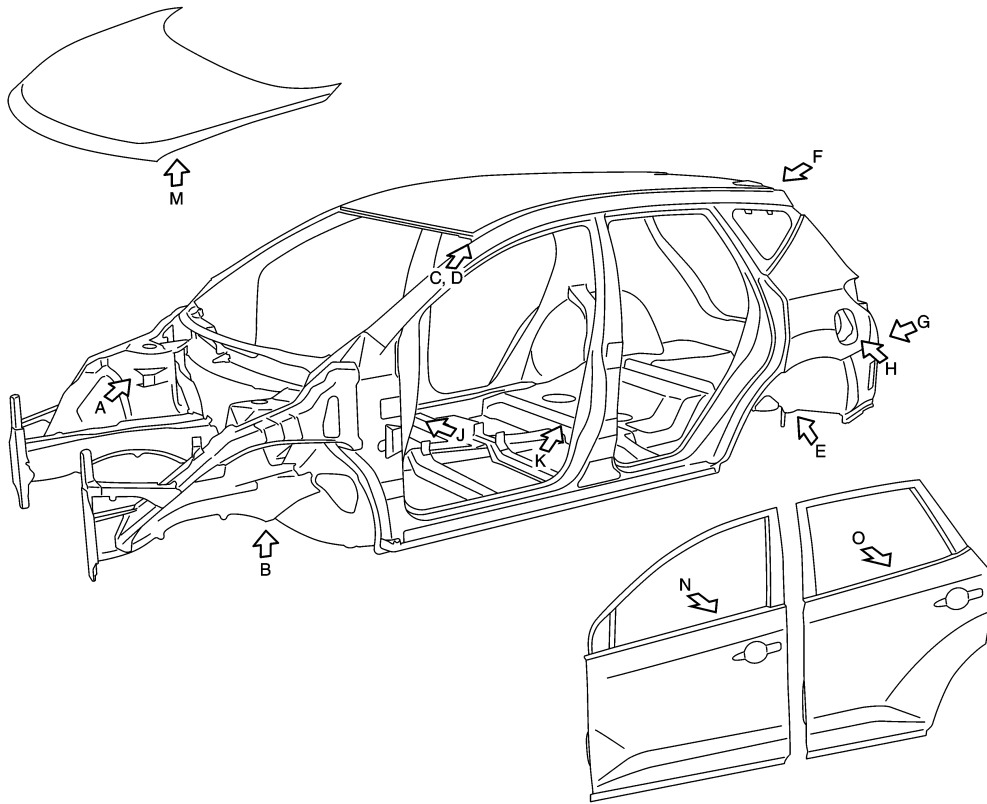
A
B
C
D
E
F
G
H
I
J
L
M
N
O
P

BRM

CORROSION PROTECTION

< REMOVAL AND INSTALLATION >

[FOR USA AND CANADA]



JSKIA2612ZZ

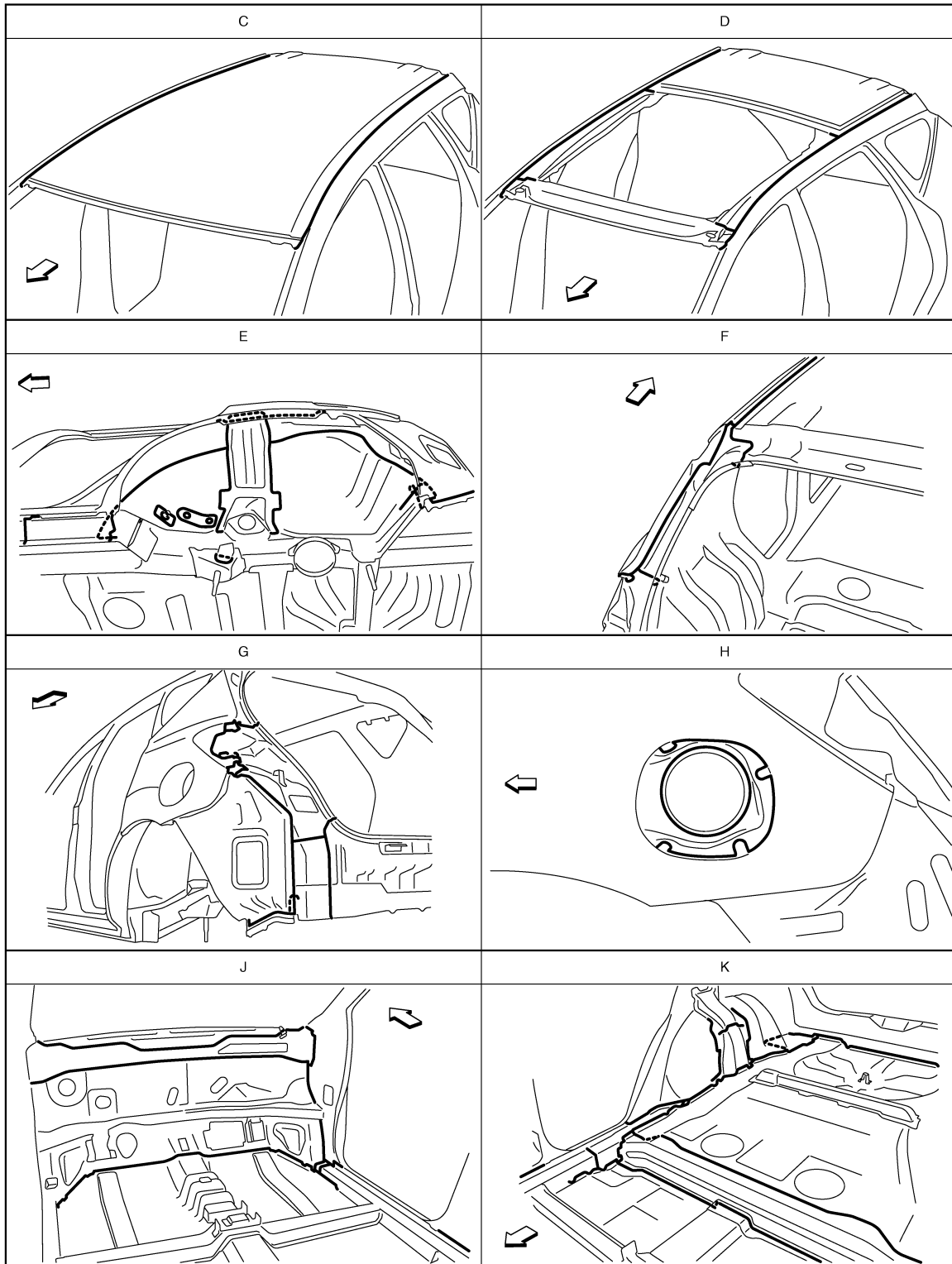
←: Vehicle front

—: Sealed portions

CORROSION PROTECTION

< REMOVAL AND INSTALLATION >

[FOR USA AND CANADA]



A
B
C
D
E
F
G
H
I
J
K
L
M
N
O
P

BRM

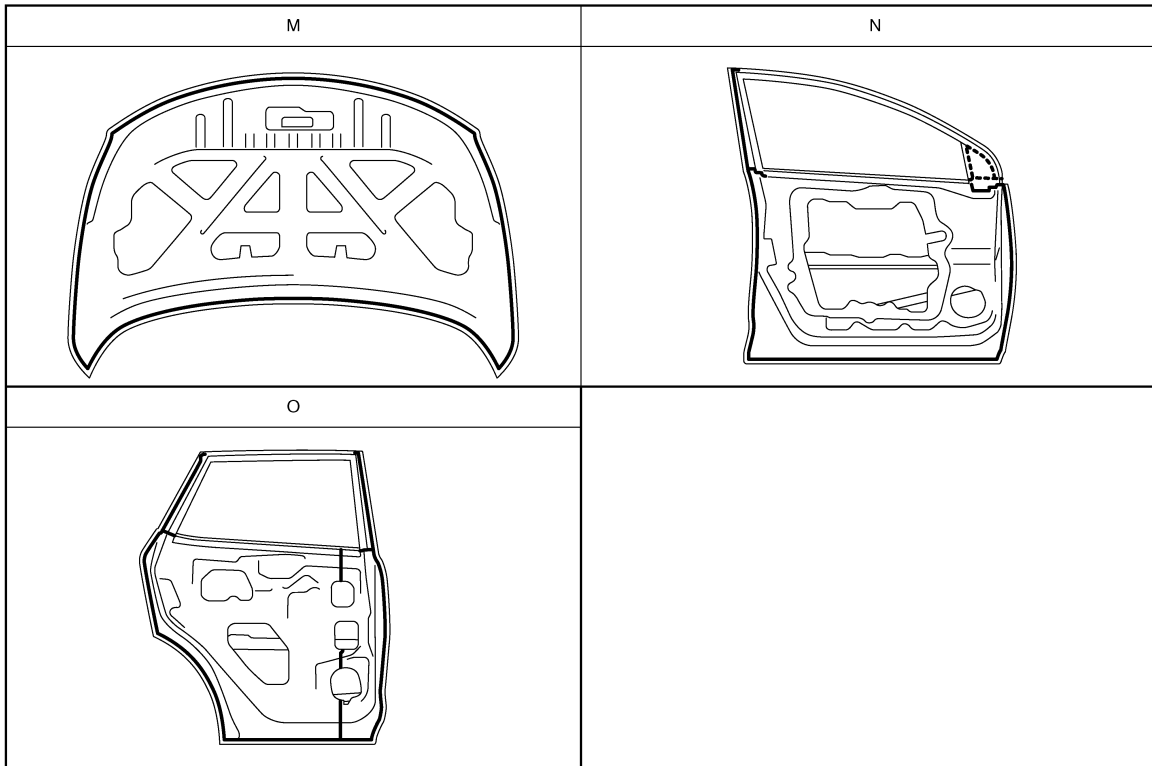
↔: Vehicle front
—: Sealed portions

JSKIA0556ZZ

CORROSION PROTECTION

< REMOVAL AND INSTALLATION >

[FOR USA AND CANADA]



JSKIA0557ZZ

—: Sealed portions

BODY CONSTRUCTION

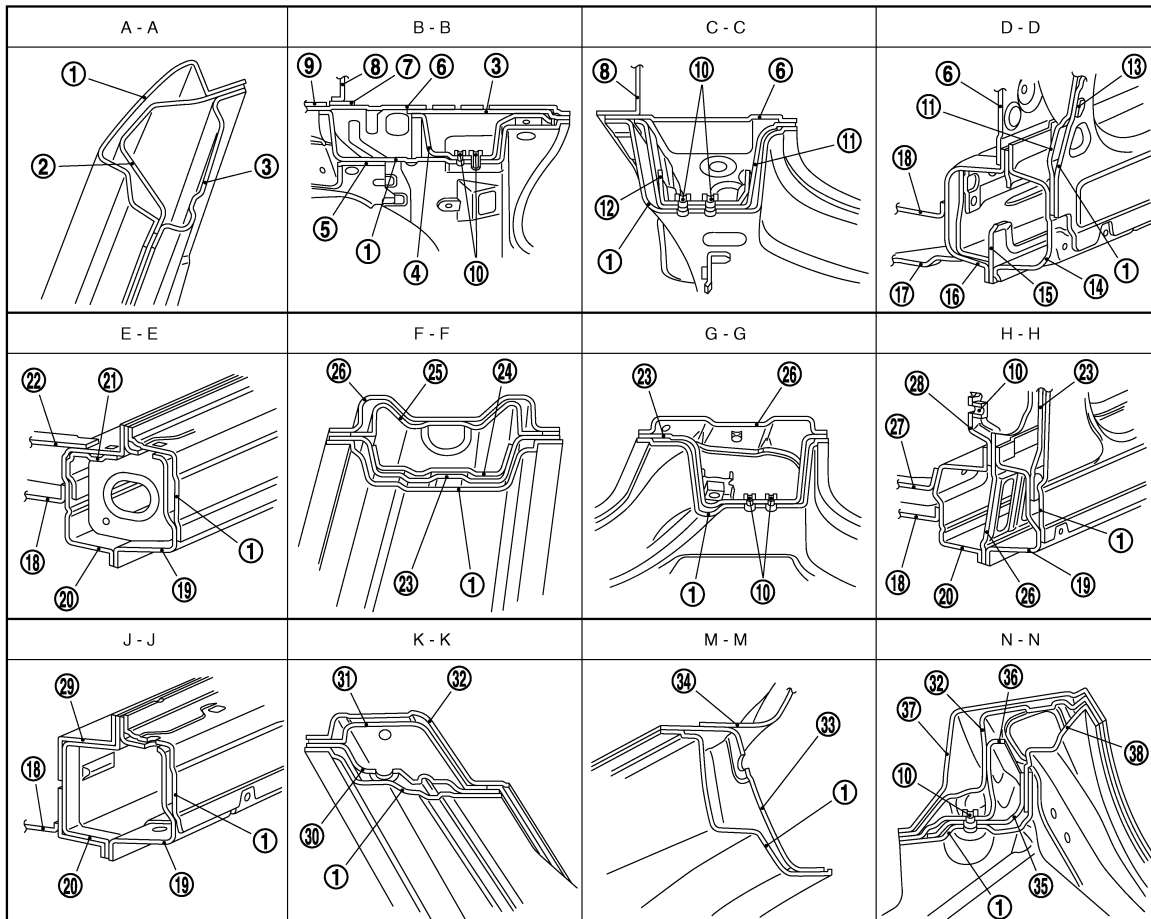
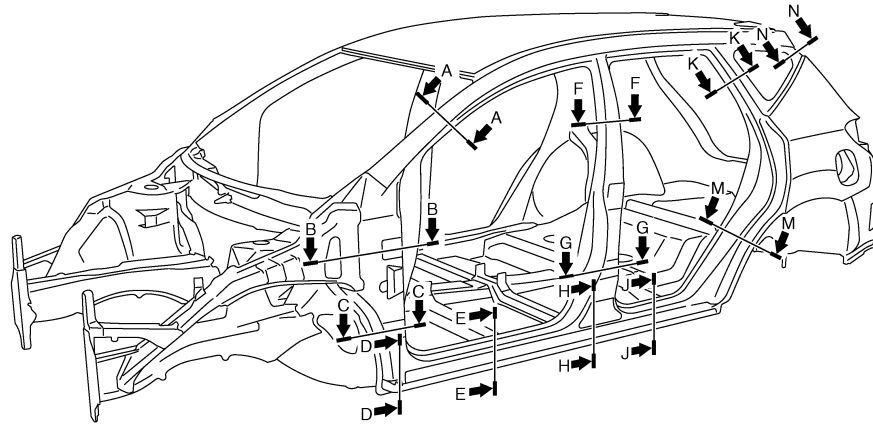
< REMOVAL AND INSTALLATION >

[FOR USA AND CANADA]

BODY CONSTRUCTION

Body Construction

INFOID:000000009718043



1. Outer side body
2. Upper front pillar reinforcement
3. Upper inner front pillar
4. Upper front pillar hinge brace
5. Hoodledge reinforcement
6. Side dash
7. Upper dash
8. Lower dash
9. Side cowl top brace

10. Side cowl top brace
11. Side cowl top brace
12. Side cowl top brace
13. Side cowl top brace
14. Side cowl top brace
15. Side cowl top brace
16. Side cowl top brace
17. Side cowl top brace
18. Side cowl top brace
19. Side cowl top brace
20. Side cowl top brace
21. Side cowl top brace
22. Side cowl top brace
23. Side cowl top brace
24. Side cowl top brace
25. Side cowl top brace
26. Side cowl top brace
27. Side cowl top brace
28. Side cowl top brace
29. Side cowl top brace
30. Side cowl top brace
31. Side cowl top brace
32. Side cowl top brace
33. Side cowl top brace
34. Side cowl top brace
35. Side cowl top brace
36. Side cowl top brace
37. Side cowl top brace
38. Side cowl top brace

JSKIA0575ZZ

A
B
C
D
E
F
G
H
I
J
K
L
M
N
O
P

BRM

BODY CONSTRUCTION

< REMOVAL AND INSTALLATION >

[FOR USA AND CANADA]

-
- | | | |
|--|------------------------------------|---|
| 10. Weld nut | 11. Lower front pillar hinge brace | 12. Lower front pillar patch |
| 13. Front fender bracket | 14. Outer front sill reinforcement | 15. Lower front pillar reinforcement |
| 16. Inner front sill reinforcement | 17. Front side member outrigger | 18. Front floor |
| 19. Outer sill reinforcement | 20. Inner sill | 21. Inner rear sill reinforcement |
| 22. 2nd crossmember | 23. Center pillar reinforcement | 24. Center pillar seat belt reinforcement |
| 25. Inner center pillar reinforcement | 26. Inner center pillar | 27. 3rd crossmember |
| 28. Seat belt anchor | 29. Inner sill extension | 30. Inner rear pillar reinforcement |
| 31. Inner rear pillar seat belt anchor | 32. Inner rear pillar | 33. Outer rear wheelhouse |
| 34. Inner rear wheelhouse | 35. Outer back pillar | 36. Back pillar reinforcement |
| 37. Rear roof rail brace | 38. Back pillar main | |

REPLACEMENT OPERATIONS

< REMOVAL AND INSTALLATION >

[FOR USA AND CANADA]

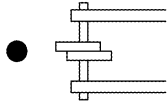
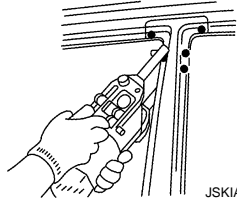
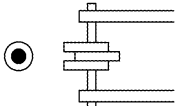
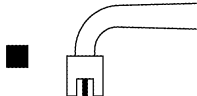



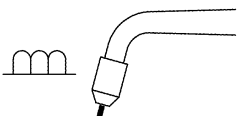
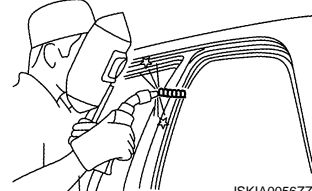
REPLACEMENT OPERATIONS

Description

INFOID:000000009718044

- This section is prepared for technicians who have attained a high level of skill and experience in repairing collision-damaged vehicles and also use modern service tools and equipment. Persons unfamiliar with body repair techniques should not attempt to repair collision-damaged vehicles by using this section.
- Technicians are also encouraged to read the Body Repair Manual (Fundamentals) in order to ensure that the original functions and quality of the vehicle are maintained. The Body Repair Manual (Fundamentals) contains additional information, including cautions and warnings, that are not including in this manual. Technicians should refer to both manuals to ensure proper repair.
- Please note that this information is prepared for worldwide usage, and as such, certain procedures might not apply in some regions or countries.

The symbols used in this section for welding operations are shown below.

Symbol marks	Description	
 <p>JSKIA0049ZZ</p>	2-spot welds	 <p>JSKIA0053ZZ</p>
 <p>JSKIA0050ZZ</p>	3-spot welds	
 <p>JSKIA0051ZZ</p>	MIG plug weld	 <p>JSKIA0054ZZ</p> <p>For 3 panels plug weld method</p> <div style="display: flex; flex-direction: column; align-items: center;"> <div data-bbox="1136 1438 1299 1480"> <p>■ A </p> </div> <div data-bbox="1136 1533 1299 1575"> <p>■ B </p> </div> </div> <p>JSKIA0055ZZ</p>
 <p>JSKIA0052ZZ</p>	MIG seam weld / Point weld	 <p>JSKIA0056ZZ</p>

A
B
C
D
E
F
G
H
I
J
L
M
N
O
P

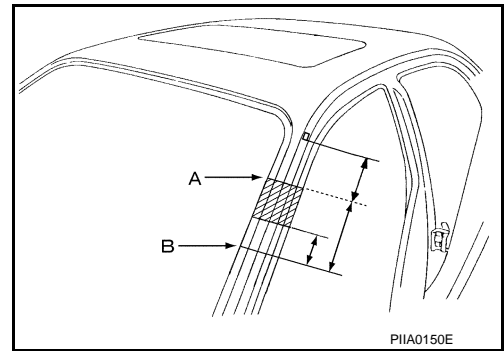
BRM

REPLACEMENT OPERATIONS

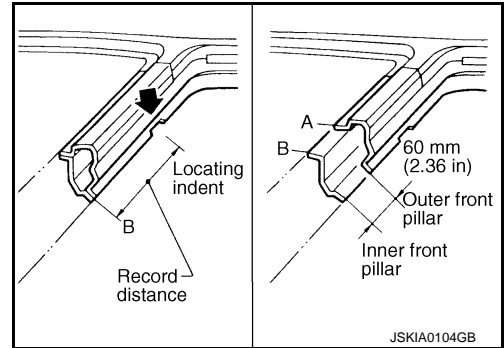
[FOR USA AND CANADA]

< REMOVAL AND INSTALLATION >

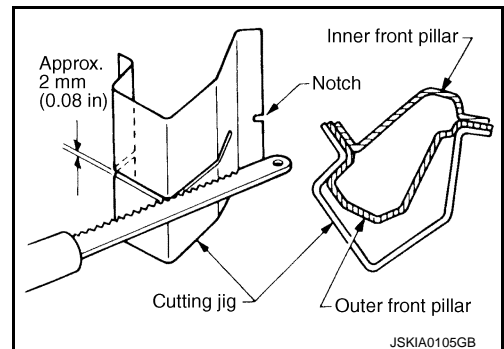
- Front pillar butt joint can be determined anywhere within shaded area as shown in the figure. The best location for the butt joint is at position A due to the construction of the vehicle.



- Determine cutting position and record distance from the locating indent. Use this distance when cutting the service part. Cut outer front pillar over 60 mm (2.36 in) above the inner front pillar cut position.

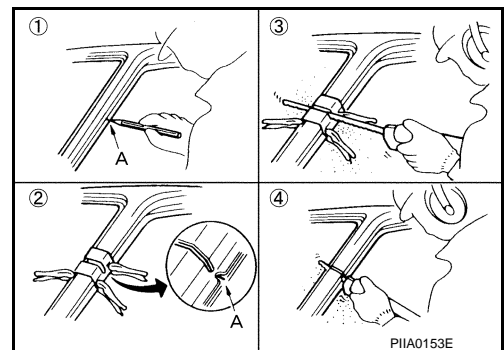


- Prepare a cutting jig to make outer pillar easier to cut. Also, this will permit the service part to be accurately cut at the joint position.



- An example of cutting operation using a cutting jig is as per the following.

1. Mark cutting lines.
A: Cut position of outer pillar
B: Cut position of inner pillar
2. Align cutting line with notch on jig. Clamp jig to pillar.
3. Cut outer pillar along groove of jig (at position A).
4. Remove jig and cut remaining portions.
5. Cut inner pillar at position B in same manner.



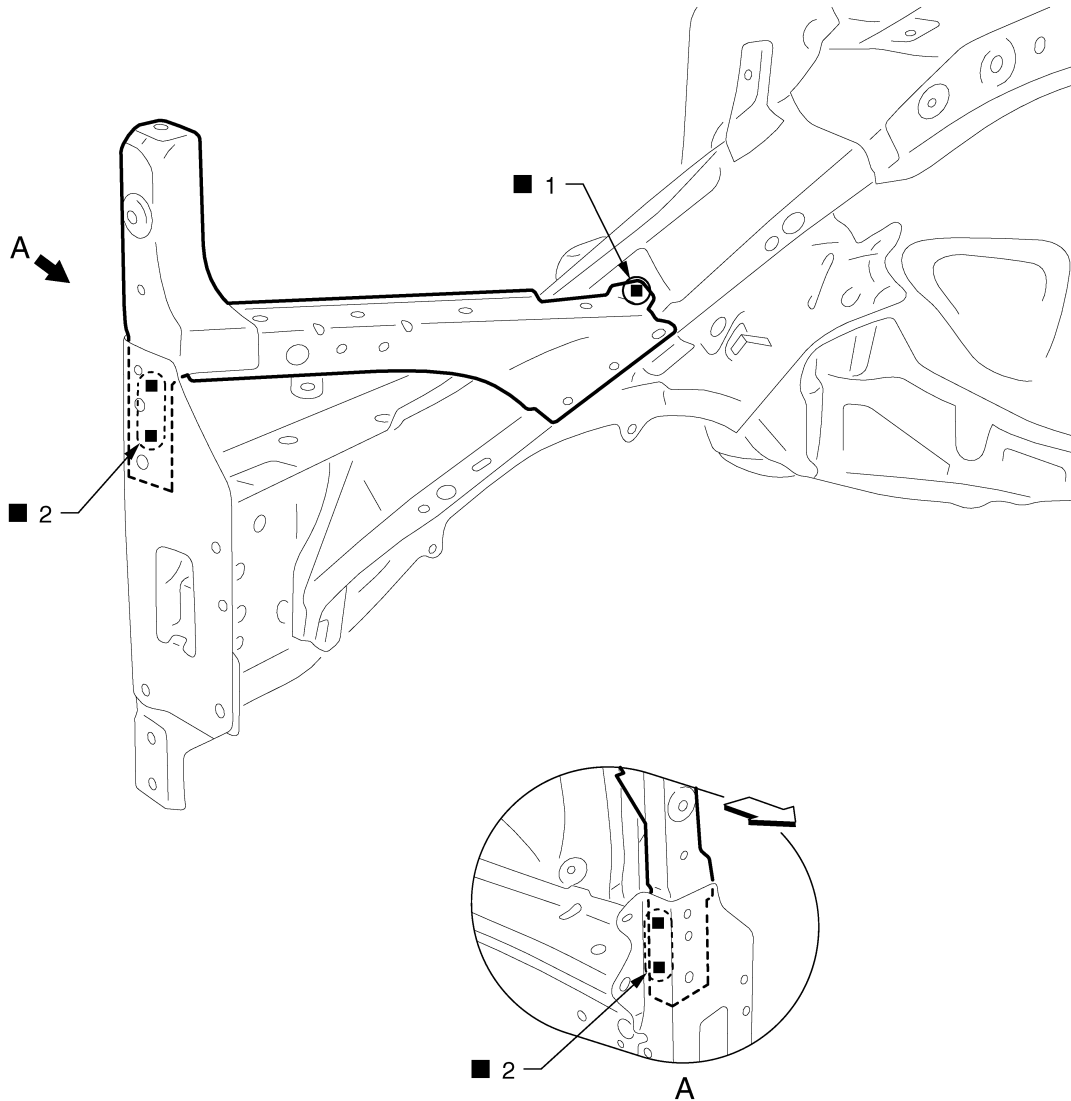
REPLACEMENT OPERATIONS

< REMOVAL AND INSTALLATION >

[FOR USA AND CANADA]

Radiator Core Support

INFOID:000000009718045



A
B
C
D
E
F
G
H
I
J
BRM
L
M
N
O
P

←: Vehicle front

Replacement parts

- Side radiator core support (LH)

Hoodledge

INFOID:000000009718046

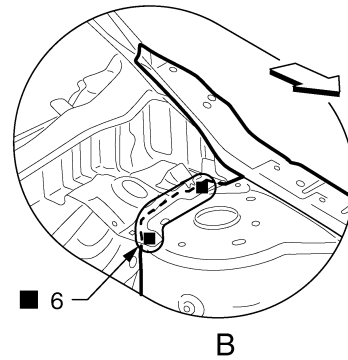
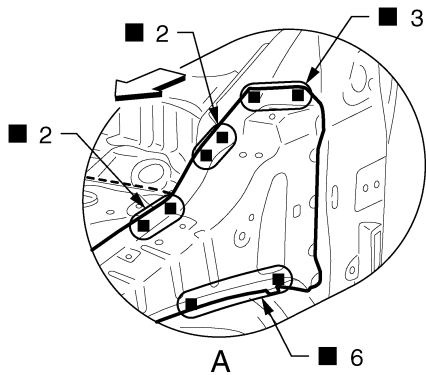
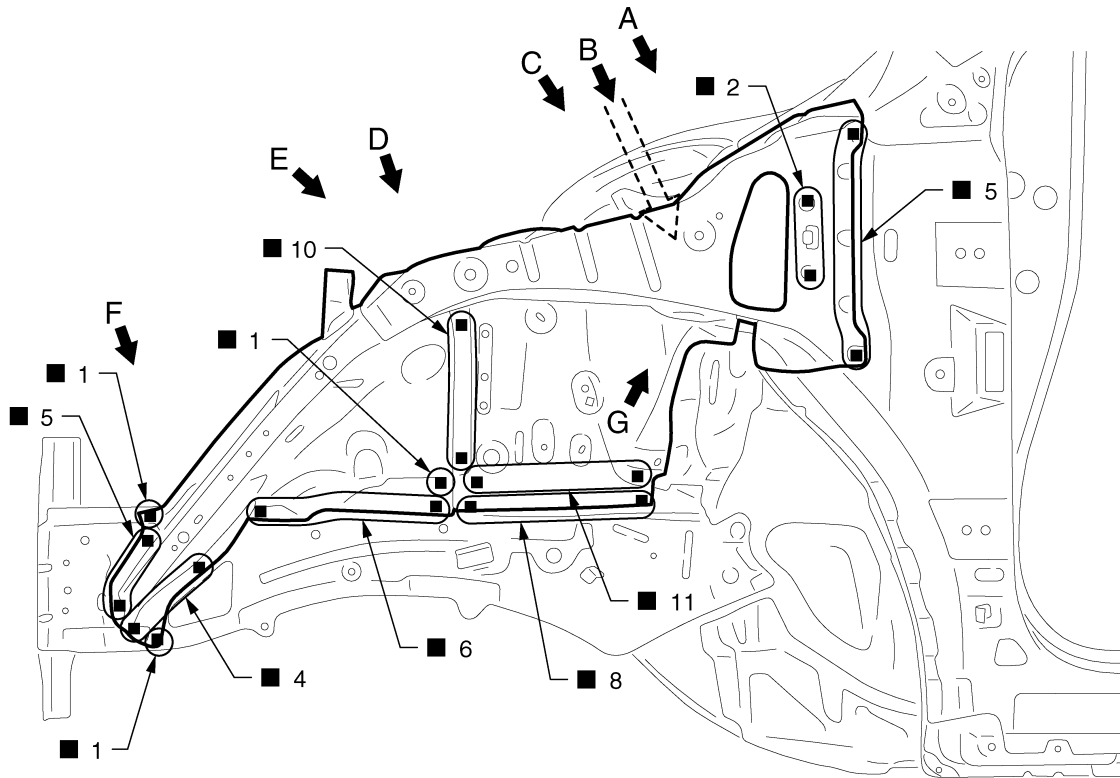
Work after radiator core support is removed.

JSKIA0523ZZ

REPLACEMENT OPERATIONS

< REMOVAL AND INSTALLATION >

[FOR USA AND CANADA]



JSKIA0524ZZ

←: Vehicle front

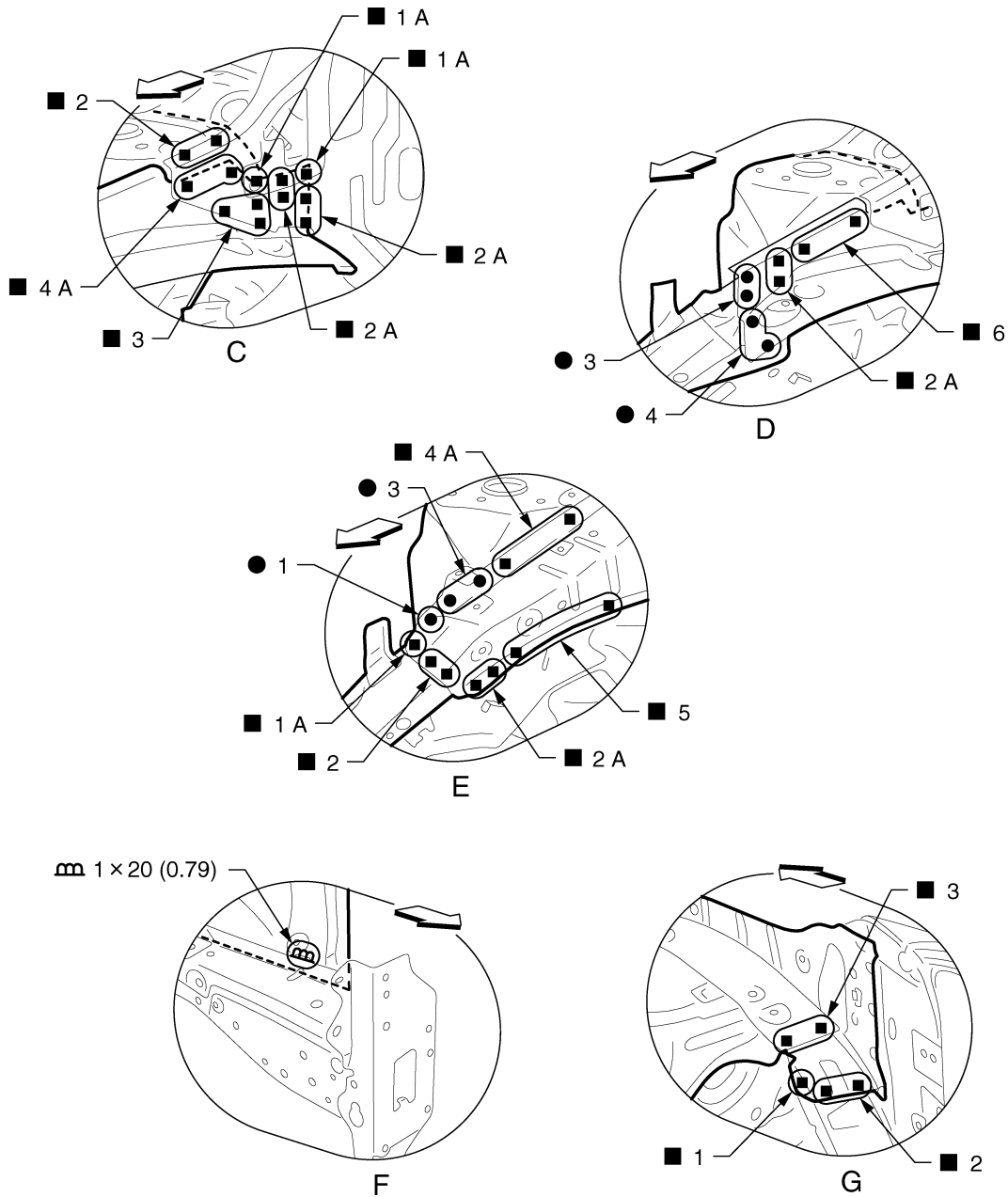
Replacement parts

- Lower front hoodledge (LH)
- Lower rear hoodledge (LH)
- Upper hoodledge (LH)
- Hoodledge reinforcement (LH)

REPLACEMENT OPERATIONS

< REMOVAL AND INSTALLATION >

[FOR USA AND CANADA]



Unit: mm (in)

← Vehicle front

View C and D: Before installing hoodledge reinforcement

Hoodledge (Partial Replacement)

Work after radiator core support is removed.

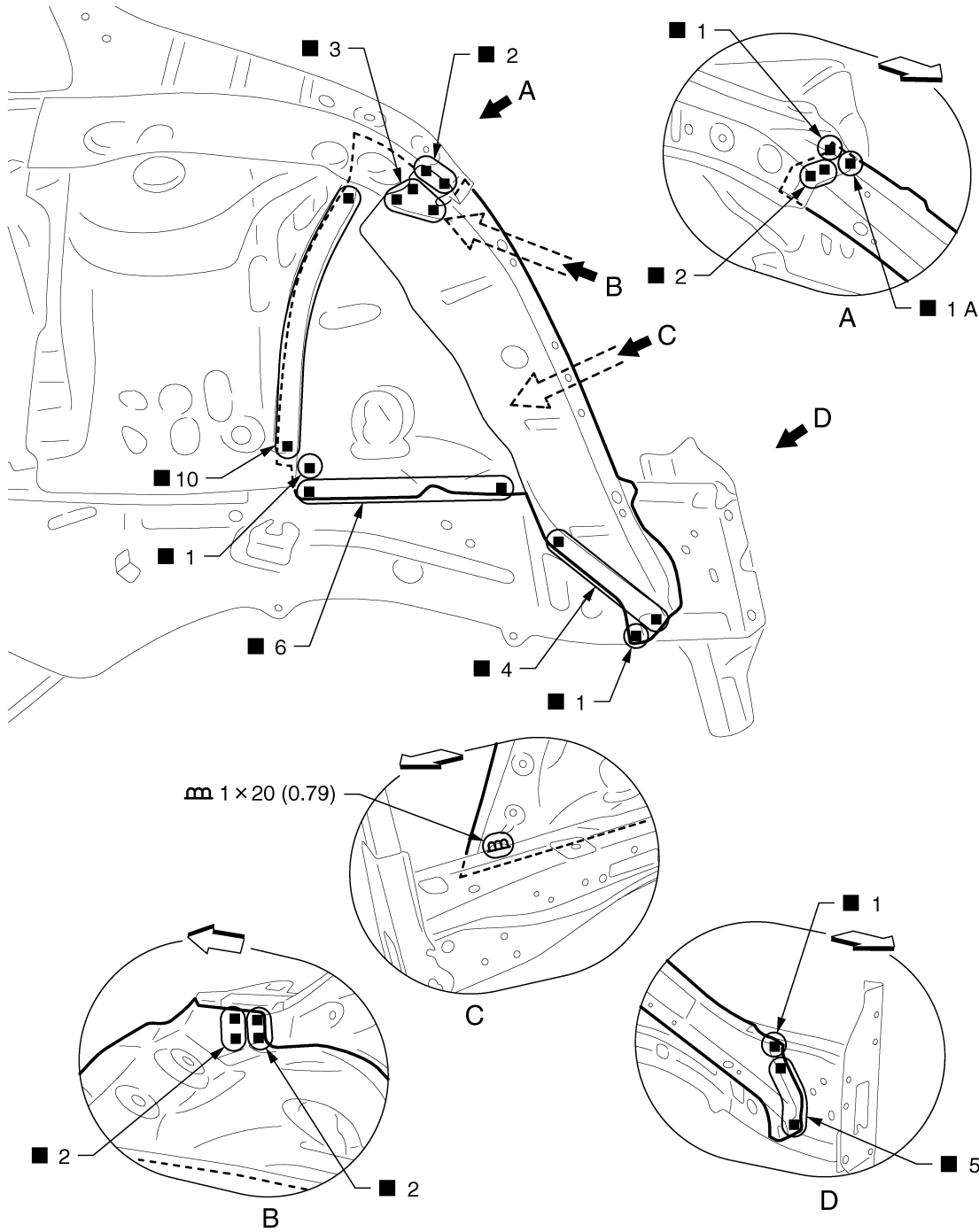
JSKIA0525GB

INFOID:000000009718047

REPLACEMENT OPERATIONS

< REMOVAL AND INSTALLATION >

[FOR USA AND CANADA]



JSKIA0526GB

Unit: mm (in)

⇐: vehicle front

Replacement parts

- Lower front hoodledge (RH)

Front Side Member

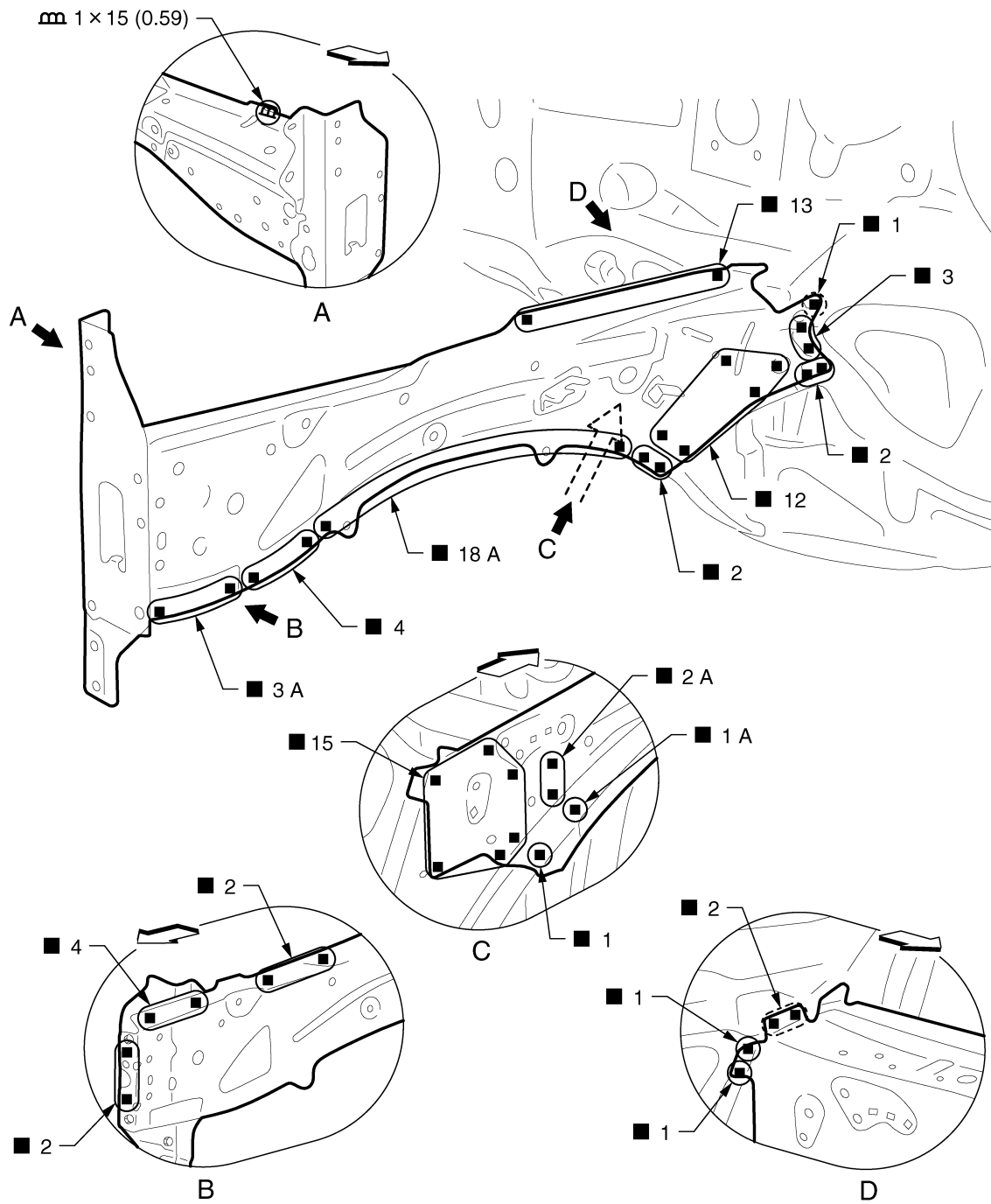
INFOID:000000009718048

Work after radiator core support and hoodledge are removed.

REPLACEMENT OPERATIONS

< REMOVAL AND INSTALLATION >

[FOR USA AND CANADA]



JSKIA0527GB

Unit: mm (in)

←: Vehicle front

Replacement parts

- Front side member assembly (LH)
- Front side member closing plate assembly (LH)

Front Side Member (Partial Replacement)

INFOID:000000009718049

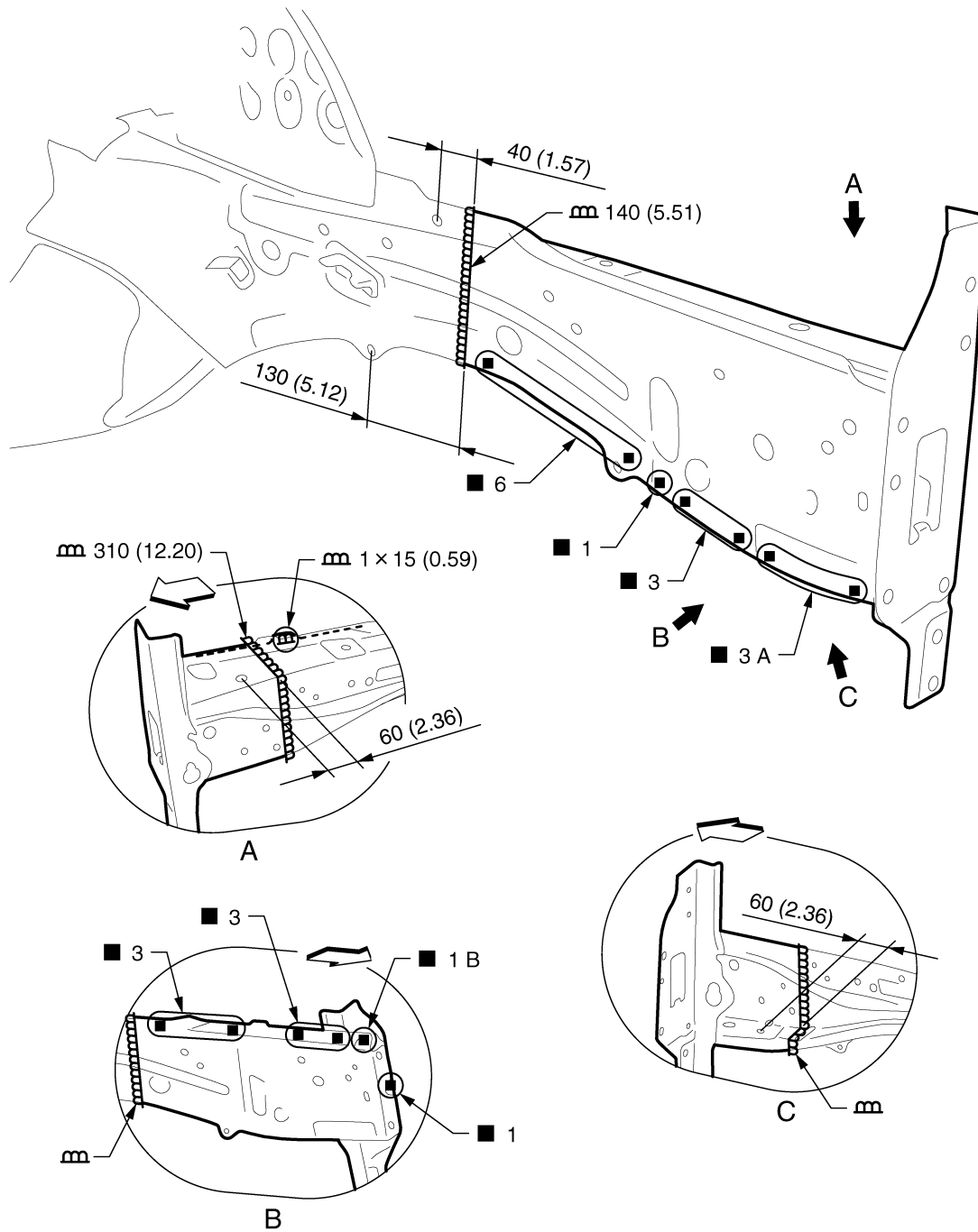
Work after radiator core support and lower front hoodledge are removed.

A
B
C
D
E
F
G
H
I
J
BRM
L
M
N
O
P

REPLACEMENT OPERATIONS

< REMOVAL AND INSTALLATION >

[FOR USA AND CANADA]



JSKIA0528GB

Unit: mm (in)

◁: Vehicle front

Replacement parts

- Front side member assembly (RH)
- Front side member closing plate assembly (RH)

Front Pillar

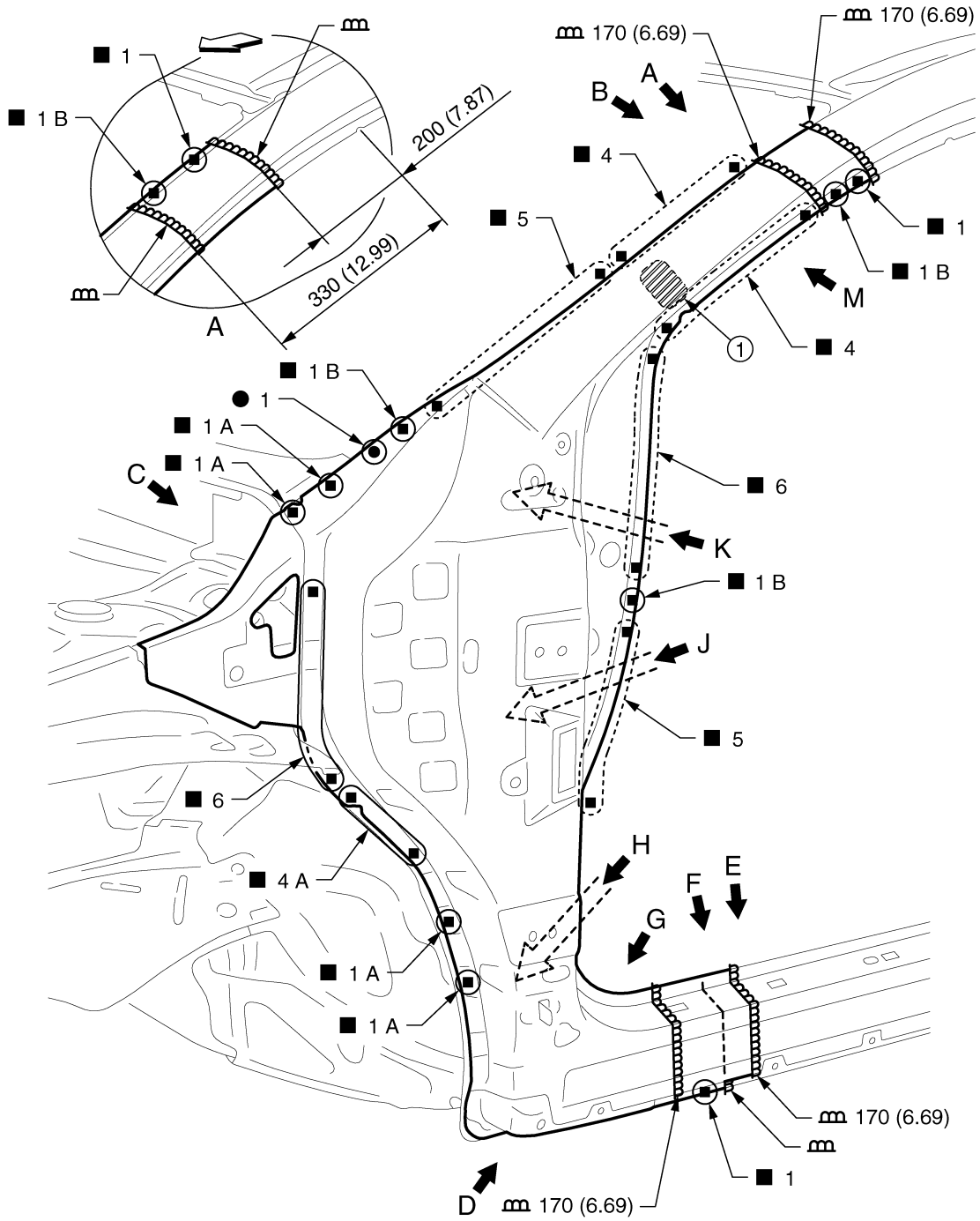
INFOID:000000009718050

Work after hoodledge reinforcement is removed.

REPLACEMENT OPERATIONS

< REMOVAL AND INSTALLATION >

[FOR USA AND CANADA]



JSKIA0529GB

1. Urethane foam

Unit: mm (in)

◀: Vehicle front

Replacement parts

● Side body assembly (LH)

● Side dash (LH)

● Inner side roof rail (LH)

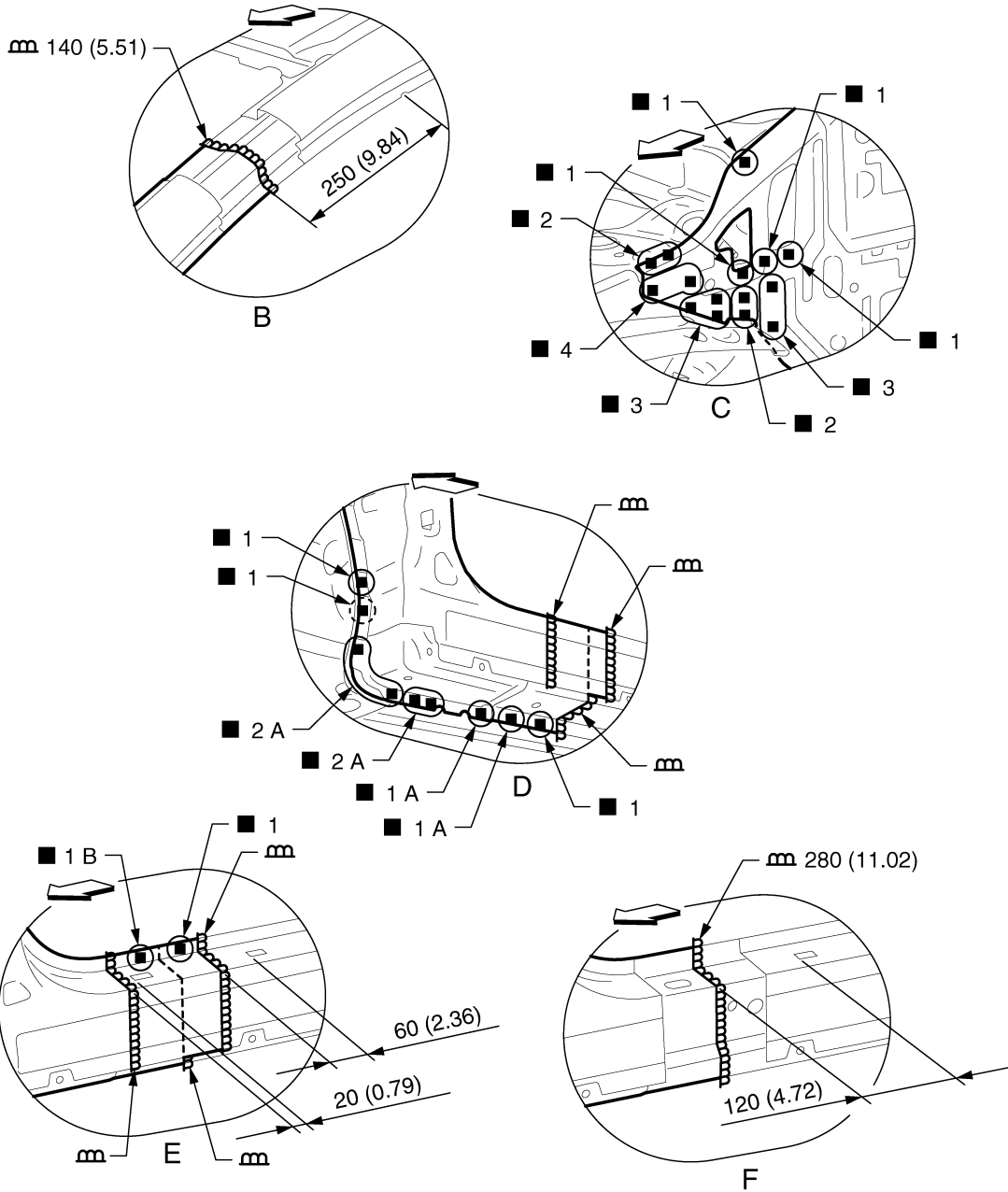
A
B
C
D
E
F
G
H
I
J
K
L
M
N
O
P

BRM

REPLACEMENT OPERATIONS

< REMOVAL AND INSTALLATION >

[FOR USA AND CANADA]



JSKIA0530GB

Unit: mm (in)

↔ Vehicle front

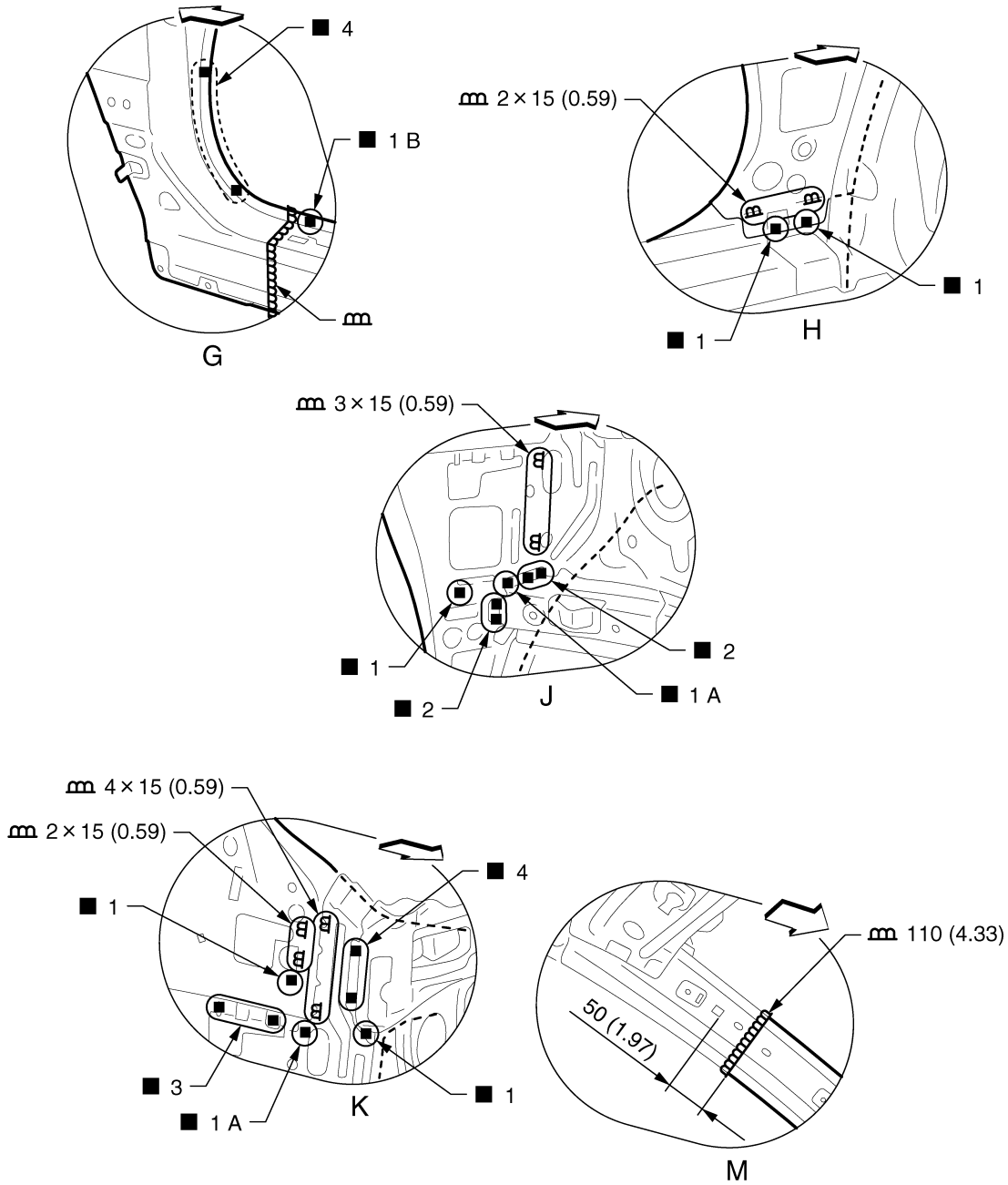
View B and F: Before installing outer front side body

View C: Before installing side body assembly

REPLACEMENT OPERATIONS

< REMOVAL AND INSTALLATION >

[FOR USA AND CANADA]



A
B
C
D
E
F
G
H
I
J
K
L
M
N
O
P

BRM

JSKIA0531GB

Unit: mm (in)

↔: Vehicle front

Center Pillar

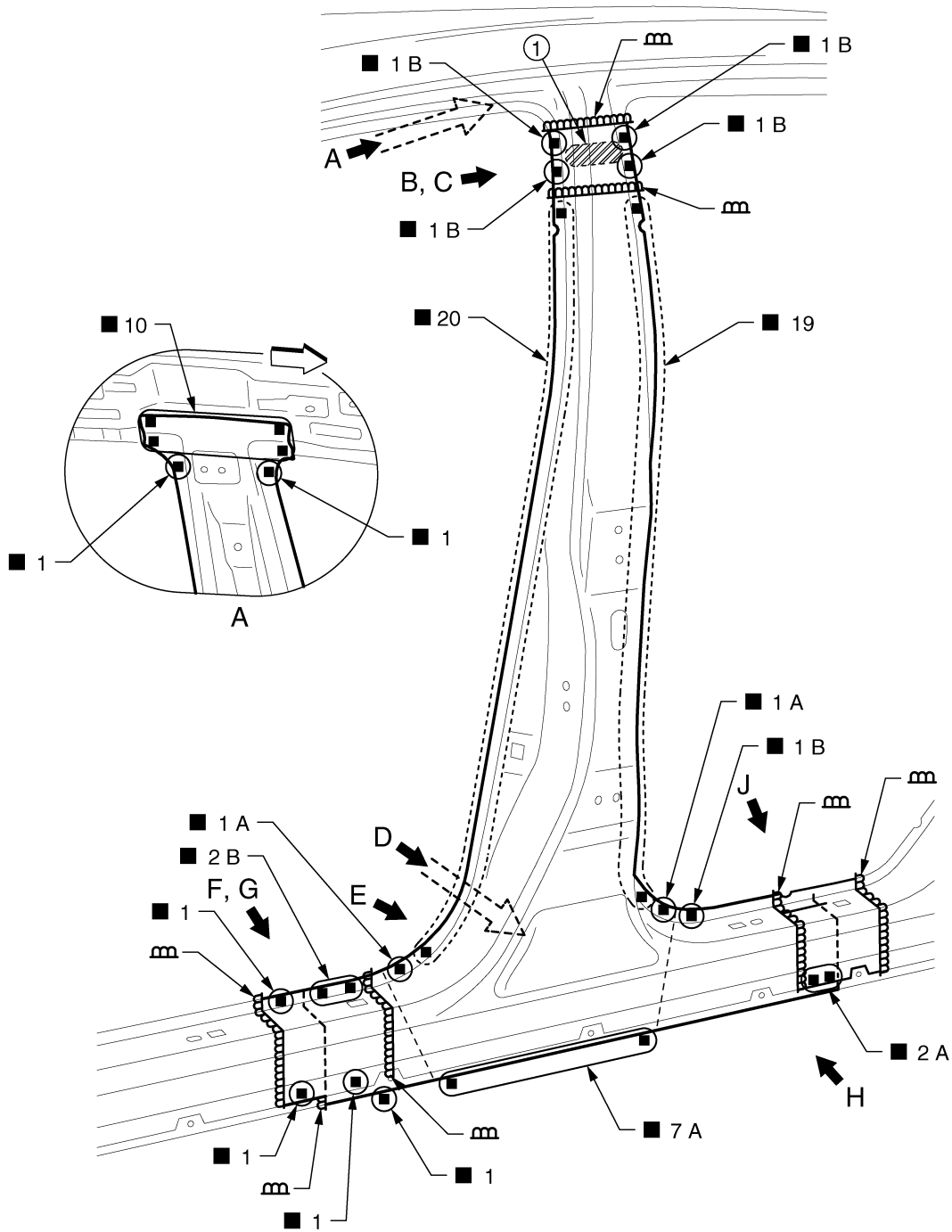
INFOID:000000009718051

Install the inner center pillar to the side body assembly as shown in the figure for repairing the hidden welding point "View E".

REPLACEMENT OPERATIONS

< REMOVAL AND INSTALLATION >

[FOR USA AND CANADA]



JSKIA0532ZZ

1. Urethane foam

Unit: mm (in)

◁: Vehicle front

Replacement parts

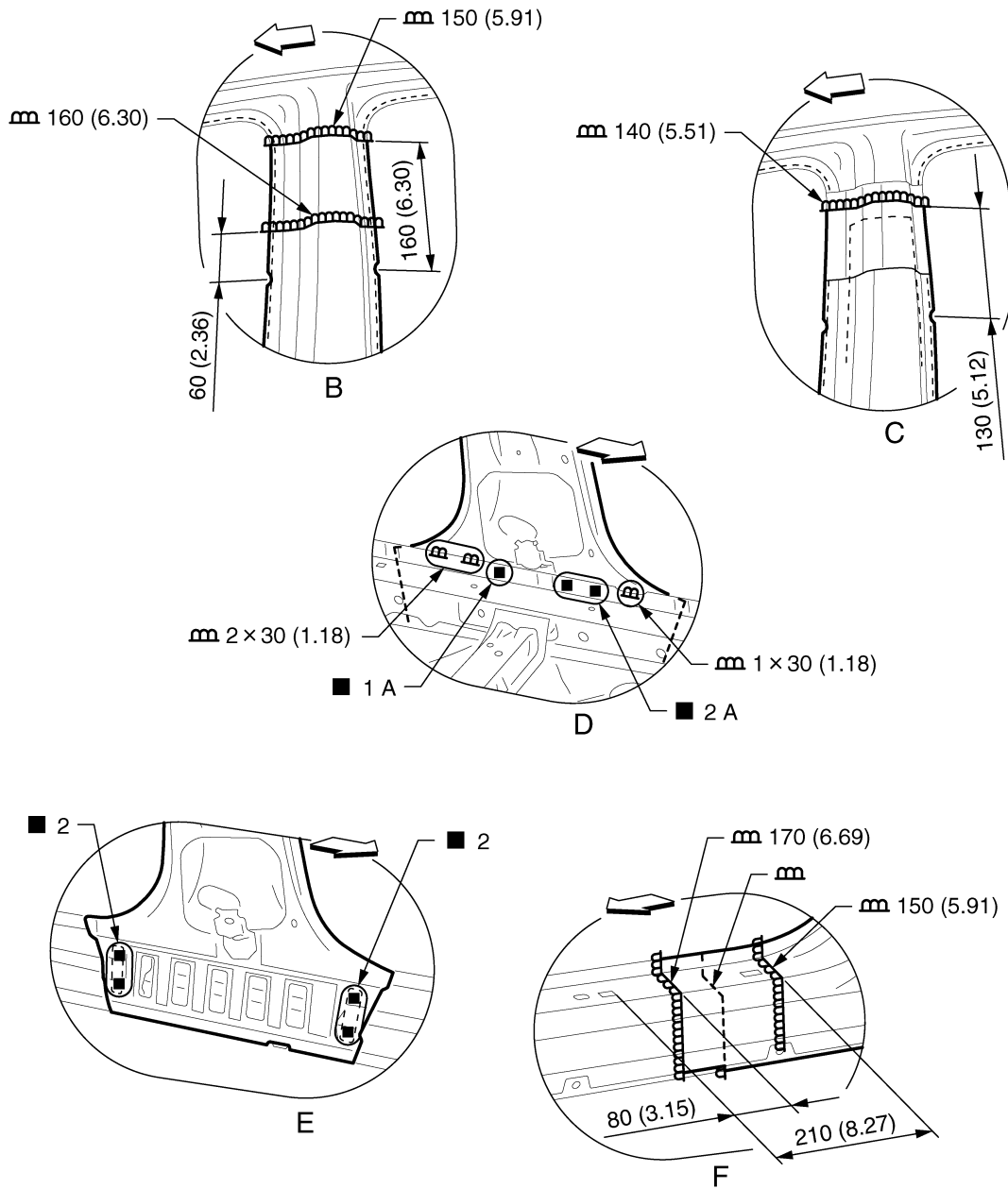
● Side body assembly (LH)

● Inner center pillar (LH)

REPLACEMENT OPERATIONS

< REMOVAL AND INSTALLATION >

[FOR USA AND CANADA]



A
B
C
D
E
F
G
H
I
J
BRM
L
M
N
O
P

Unit: mm (in)

←: Vehicle front

View C: Before installing outer front side body

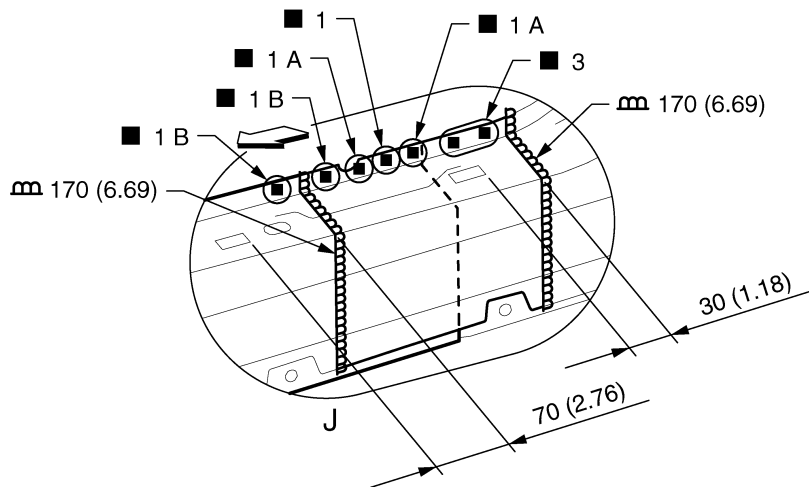
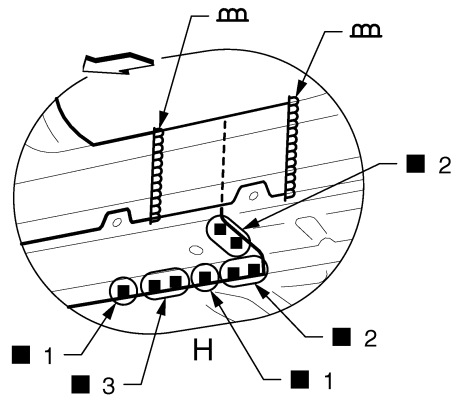
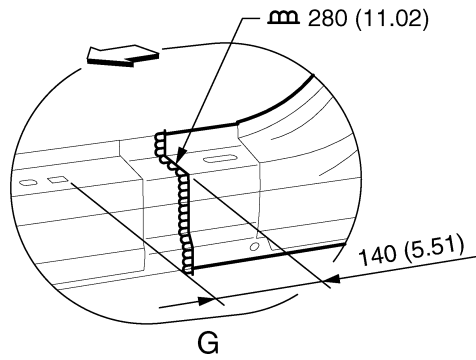
View E: Inner center pillar and side body assembly (replacement parts)

JSKIA0533GB

REPLACEMENT OPERATIONS

< REMOVAL AND INSTALLATION >

[FOR USA AND CANADA]



JSKIA0534GB

Unit: mm (in)

← Vehicle front

View G: Before installing outer front side body

Outer Sill

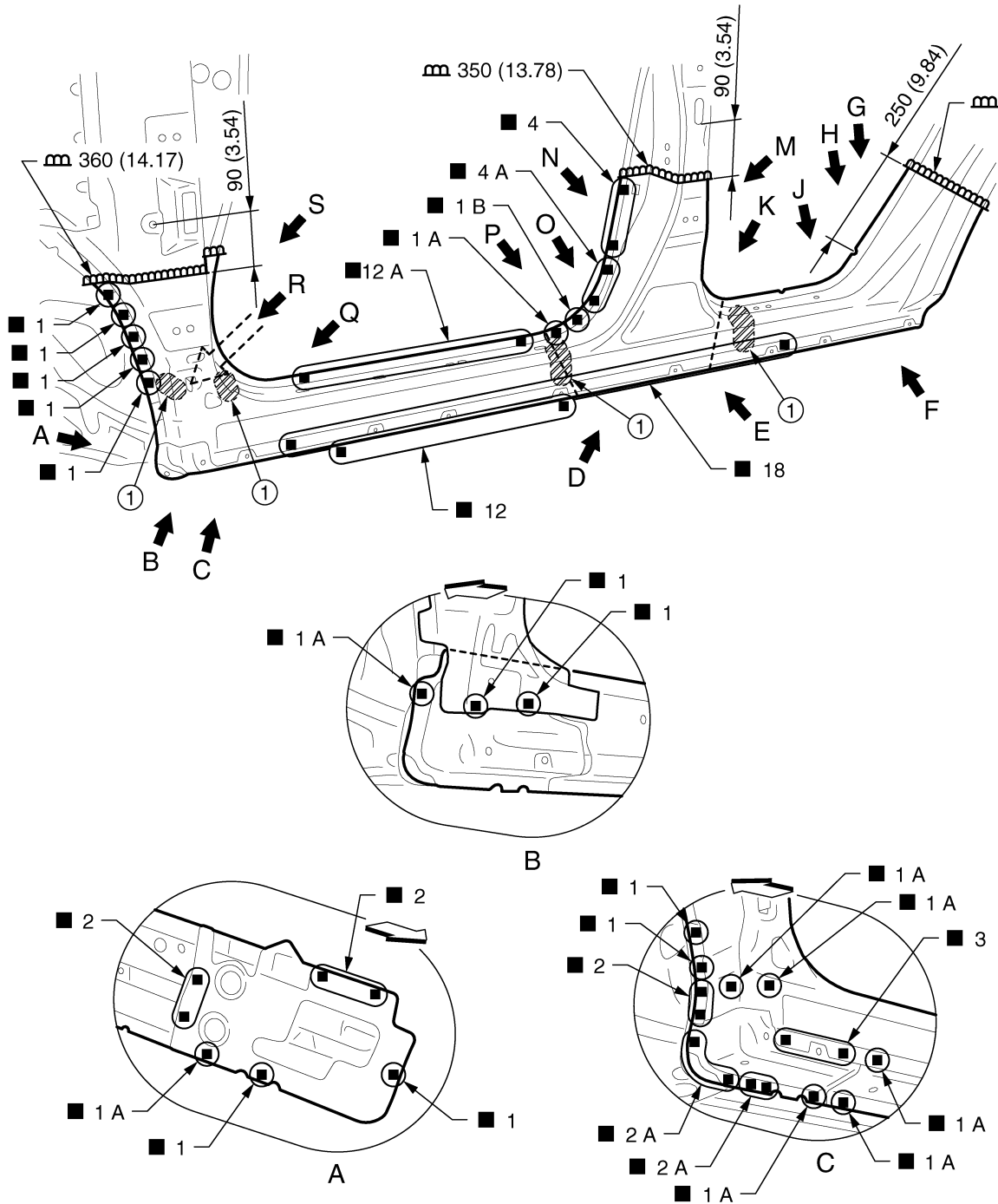
INFOID:000000009718052

Install the lower front pillar reinforcement assembly to the outer sill reinforcement (replacement part) as shown in the figure for repairing the hidden welding point "View A".

REPLACEMENT OPERATIONS

< REMOVAL AND INSTALLATION >

[FOR USA AND CANADA]



1. Urethane foam

Unit: mm (in)

◁: Vehicle front

Replacement parts

● Outer sill (LH)

● Outer sill reinforcement (LH)

● Lower front pillar reinforcement assembly (LH)

View A: Outer sill reinforcement and lower front pillar reinforcement assembly (replacement parts)

View B: Before installing outer sill

JSKIA0535GB

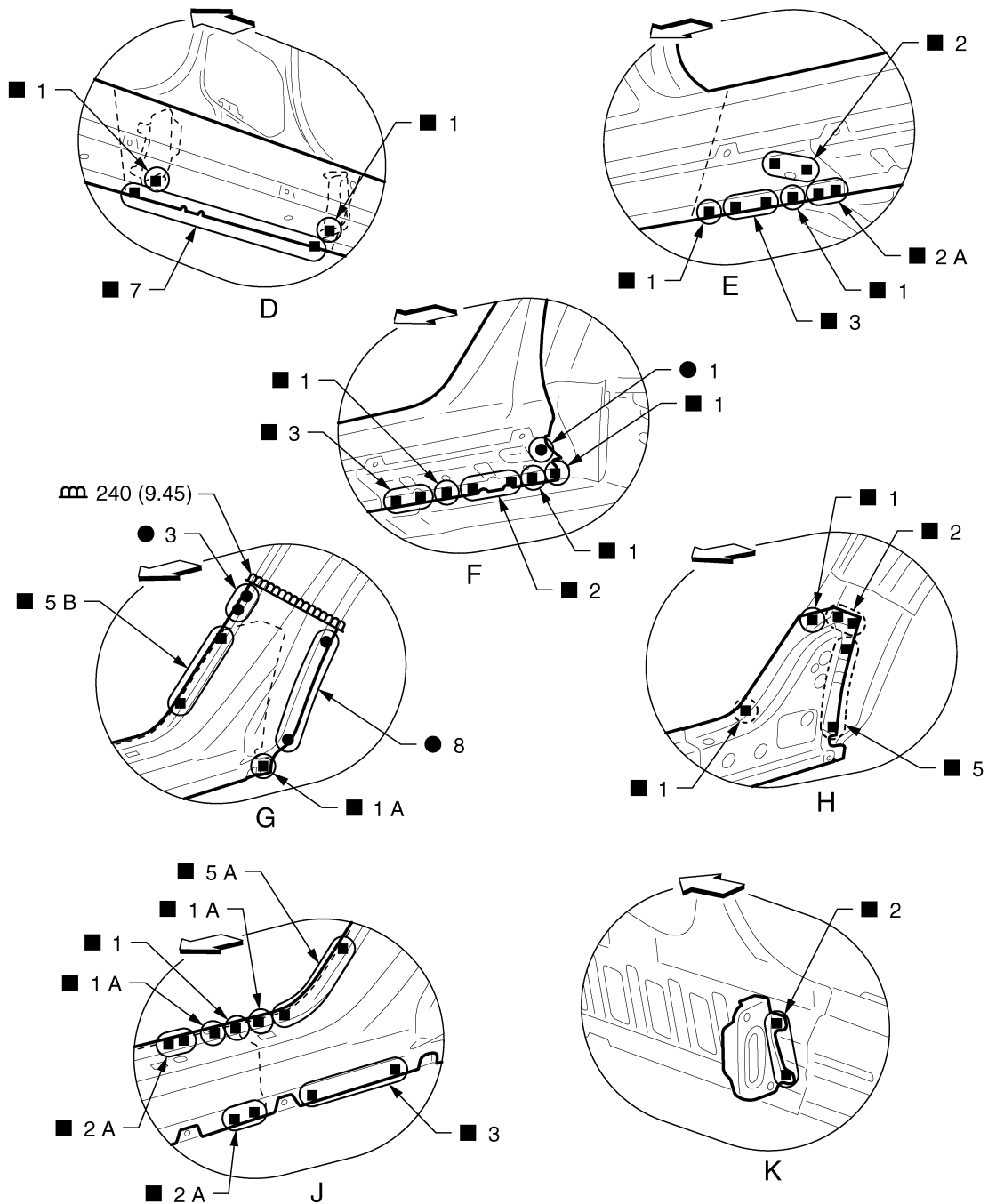
A
B
C
D
E
F
G
H
I
J
K
L
M
N
O
P

BRM

REPLACEMENT OPERATIONS

< REMOVAL AND INSTALLATION >

[FOR USA AND CANADA]



JSKIA0536GB

Unit: mm (in)

↔: Vehicle front

View D: Before installing outer sill and center pillar reinforcement

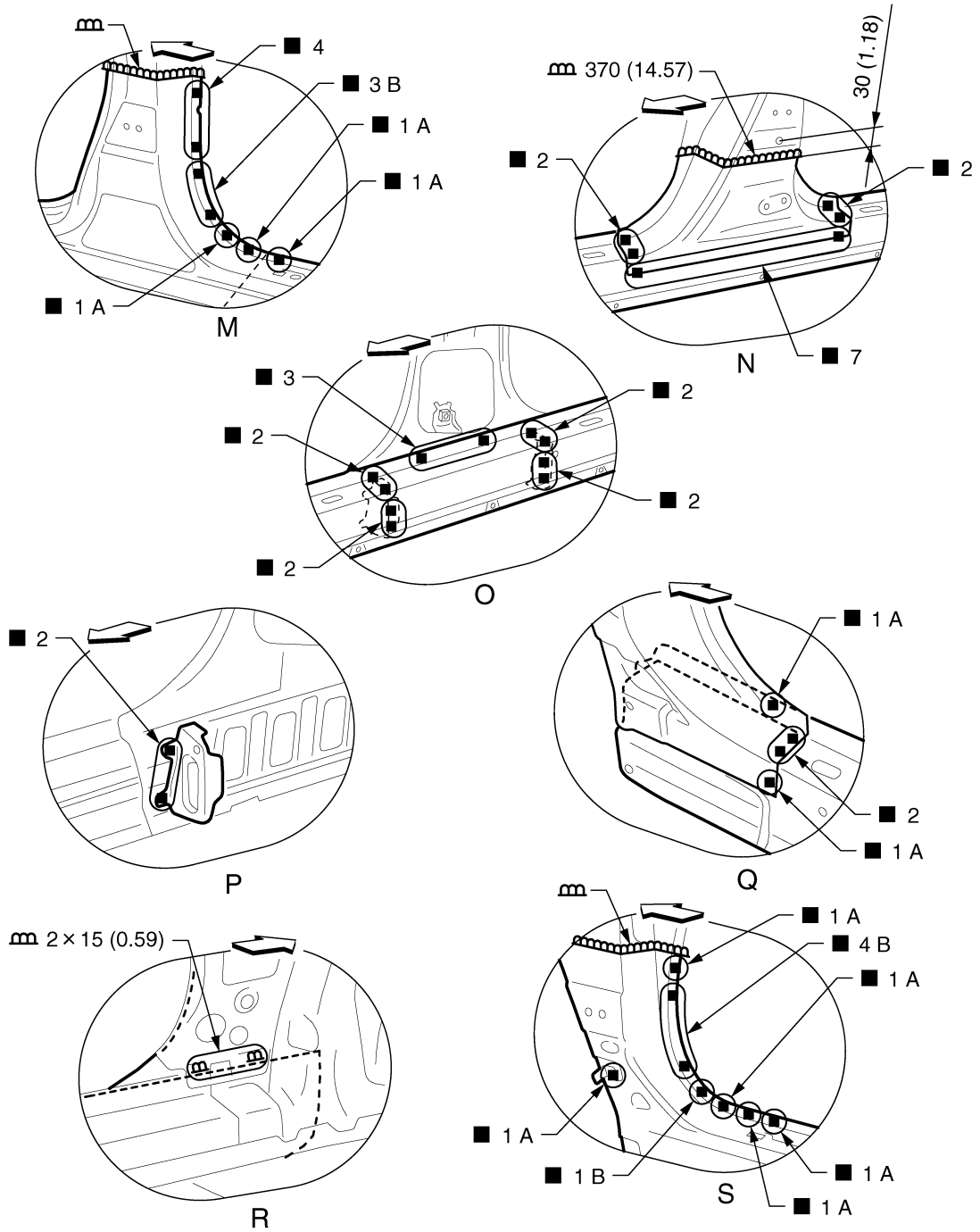
View H: Before installing outer sill

View K: Before installing outer sill reinforcement

REPLACEMENT OPERATIONS

< REMOVAL AND INSTALLATION >

[FOR USA AND CANADA]



Unit: mm (in)

←: Vehicle front

View N and Q: Before installing outer sill
 View O: Before installing center pillar reinforcement
 View P: Before installing outer sill reinforcement

Rear Fender

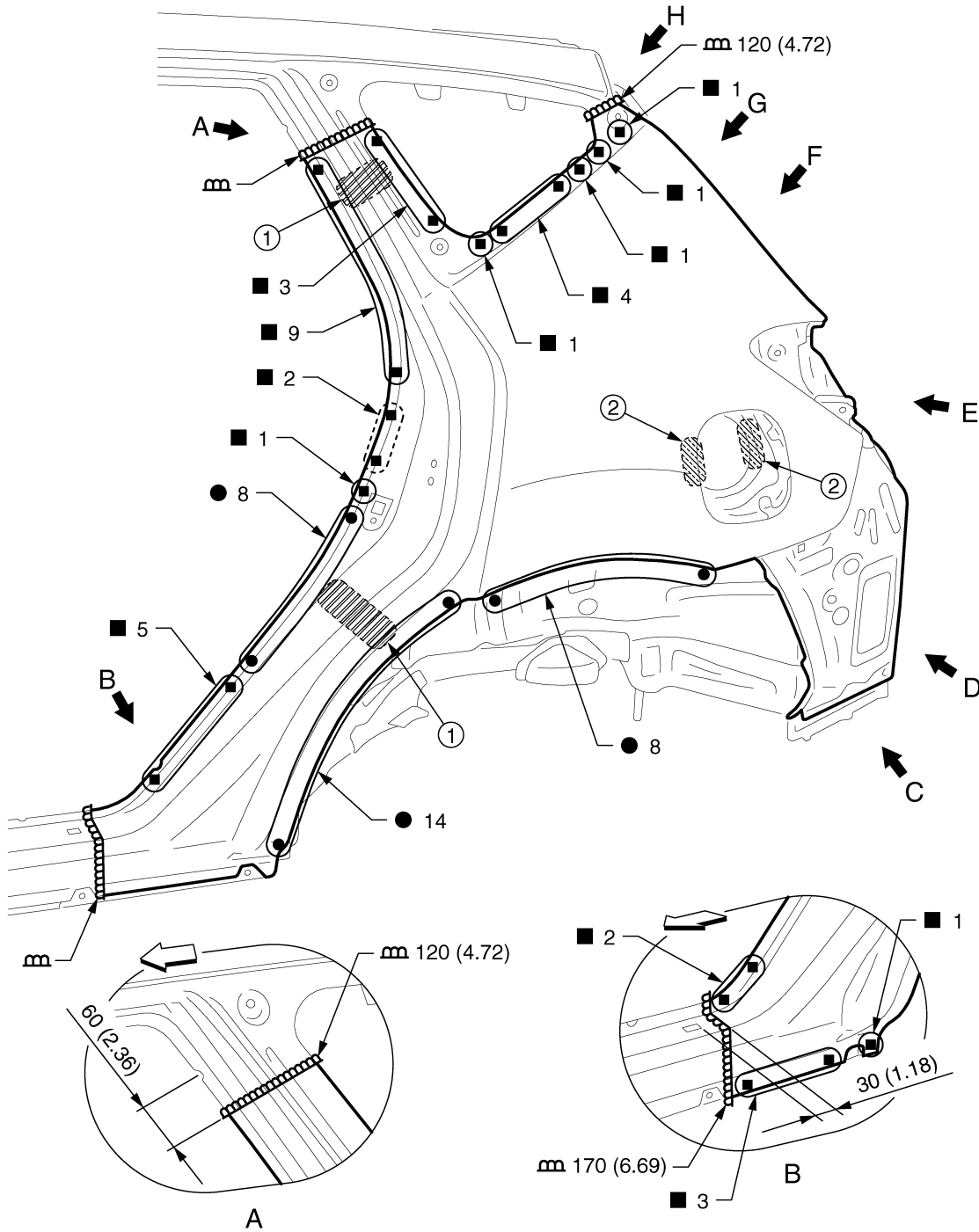
INFOID:000000009718053

Remove the outer back pillar and rear combination lamp base from the rear fender assembly service part for easier installation.

REPLACEMENT OPERATIONS

< REMOVAL AND INSTALLATION >

[FOR USA AND CANADA]



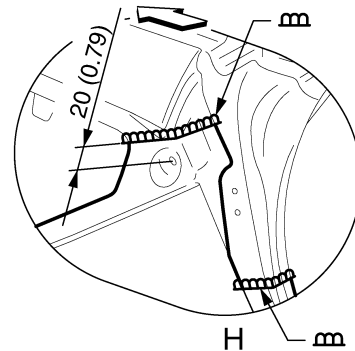
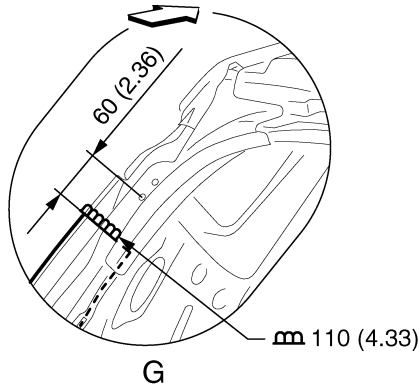
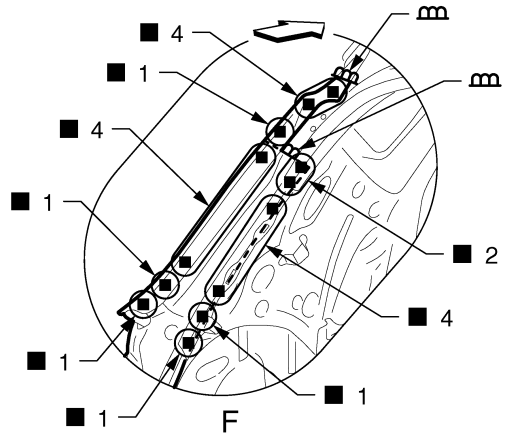
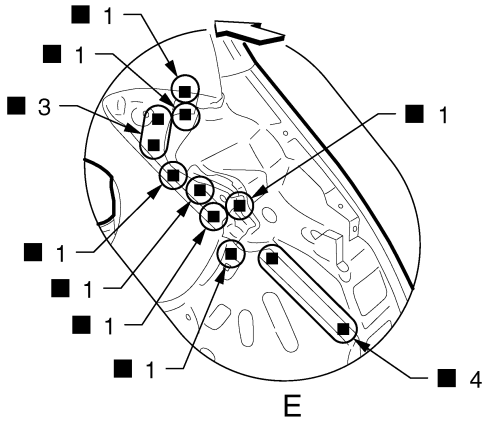
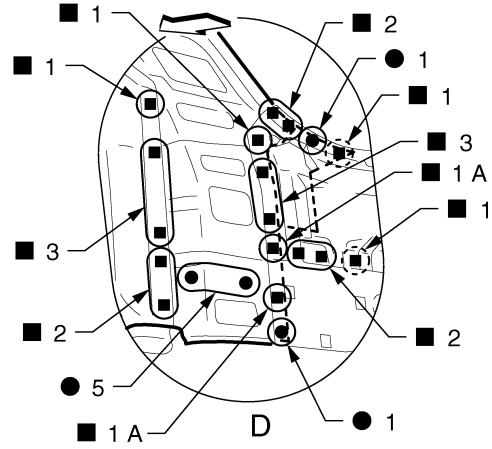
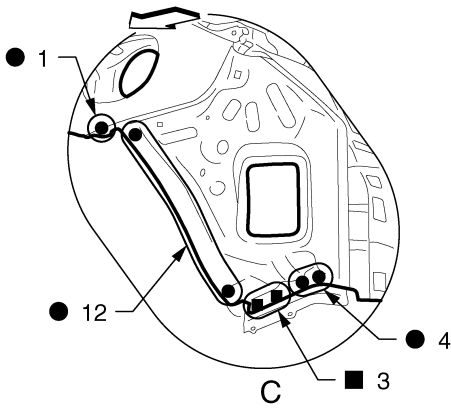
JSKIA0538GB

- 1. Urethane foam
 - 2. Adhesive
- Unit: mm (in)
- ◁: Vehicle front
- Replacement parts
- Rear fender assembly (LH)

REPLACEMENT OPERATIONS

< REMOVAL AND INSTALLATION >

[FOR USA AND CANADA]



Unit: mm (in)

←: Vehicle front

JSKIA0539GB

A
B
C
D
E
F
G
H
I
J
BRM
L
M
N
O
P

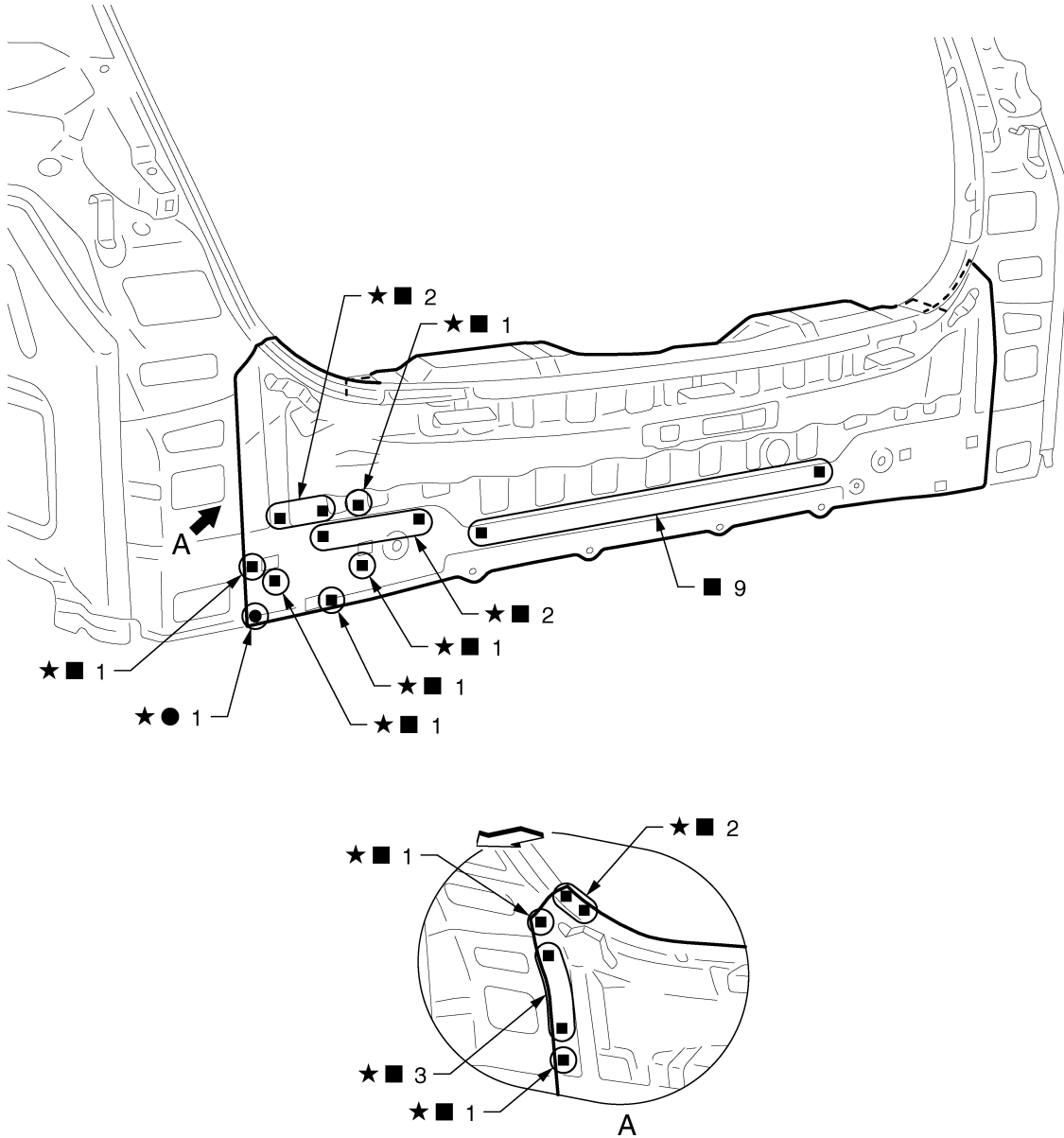
REPLACEMENT OPERATIONS

< REMOVAL AND INSTALLATION >

[FOR USA AND CANADA]

Rear Panel

INFOID:00000009718054



JSKIA0540ZZ

↔: Vehicle front

★: An equivalent welding portion with the same dimensions is on the opposite side.

Replacement parts

- Rear panel assembly

Rear Floor Rear

INFOID:00000009718055

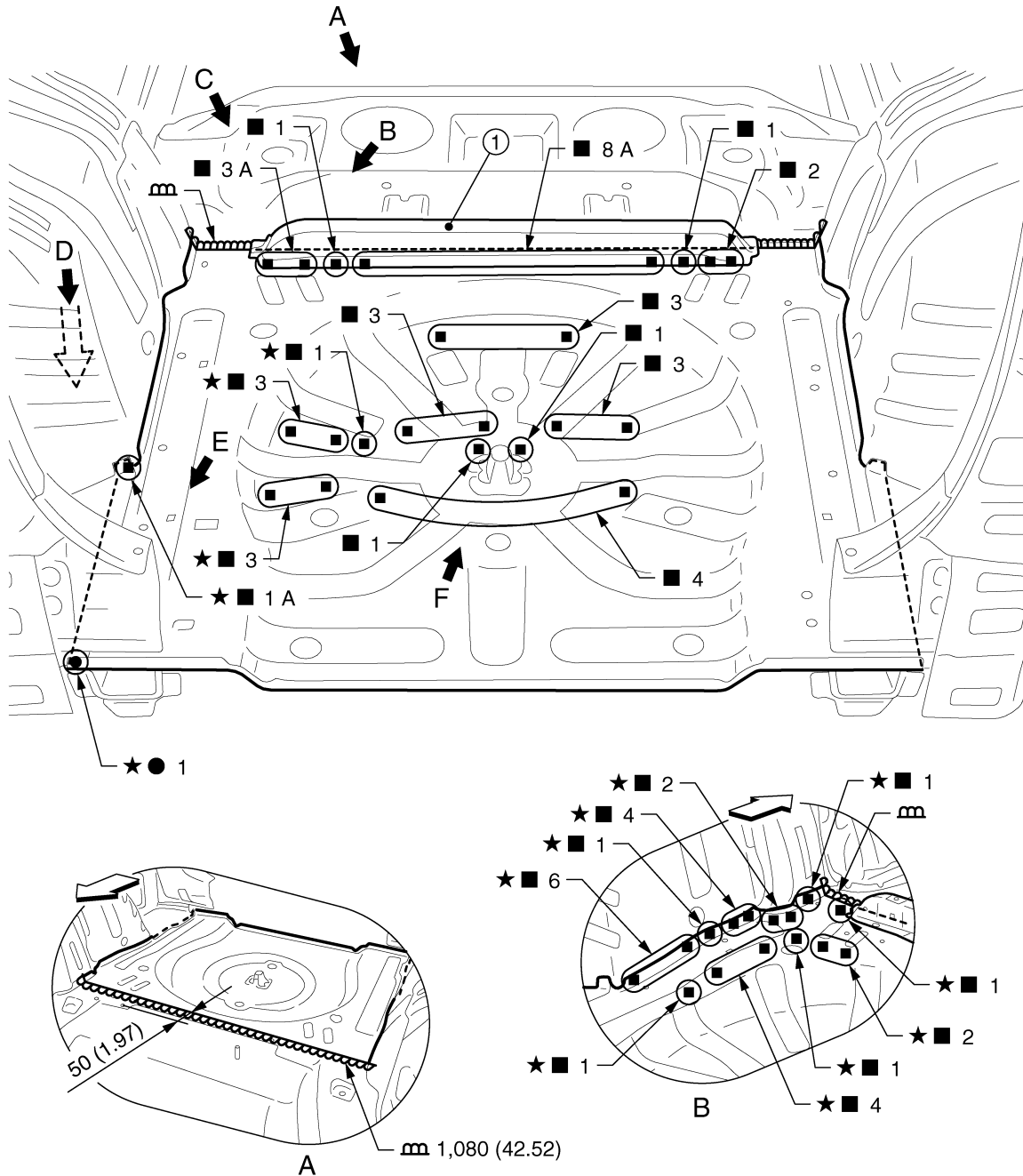
Work after rear panel is removed.
Remove the rear seat back support (reusable).

REPLACEMENT OPERATIONS

< REMOVAL AND INSTALLATION >

[FOR USA AND CANADA]

Install the spare wheel clamp reinforcement (replacement part) to the rear floor rear (replacement part) to install it to the vehicle.



A
B
C
D
E
F
G
H
I
J
L
M
N
O
P

BRM

1. Rear seat back support

Unit: mm (in)

◁: Vehicle front

★: An equivalent welding portion with the same dimensions is on the opposite side.

Replacement parts

- Rear floor rear
- Spare tire clamp bracket
- Spare wheel clamp reinforcement

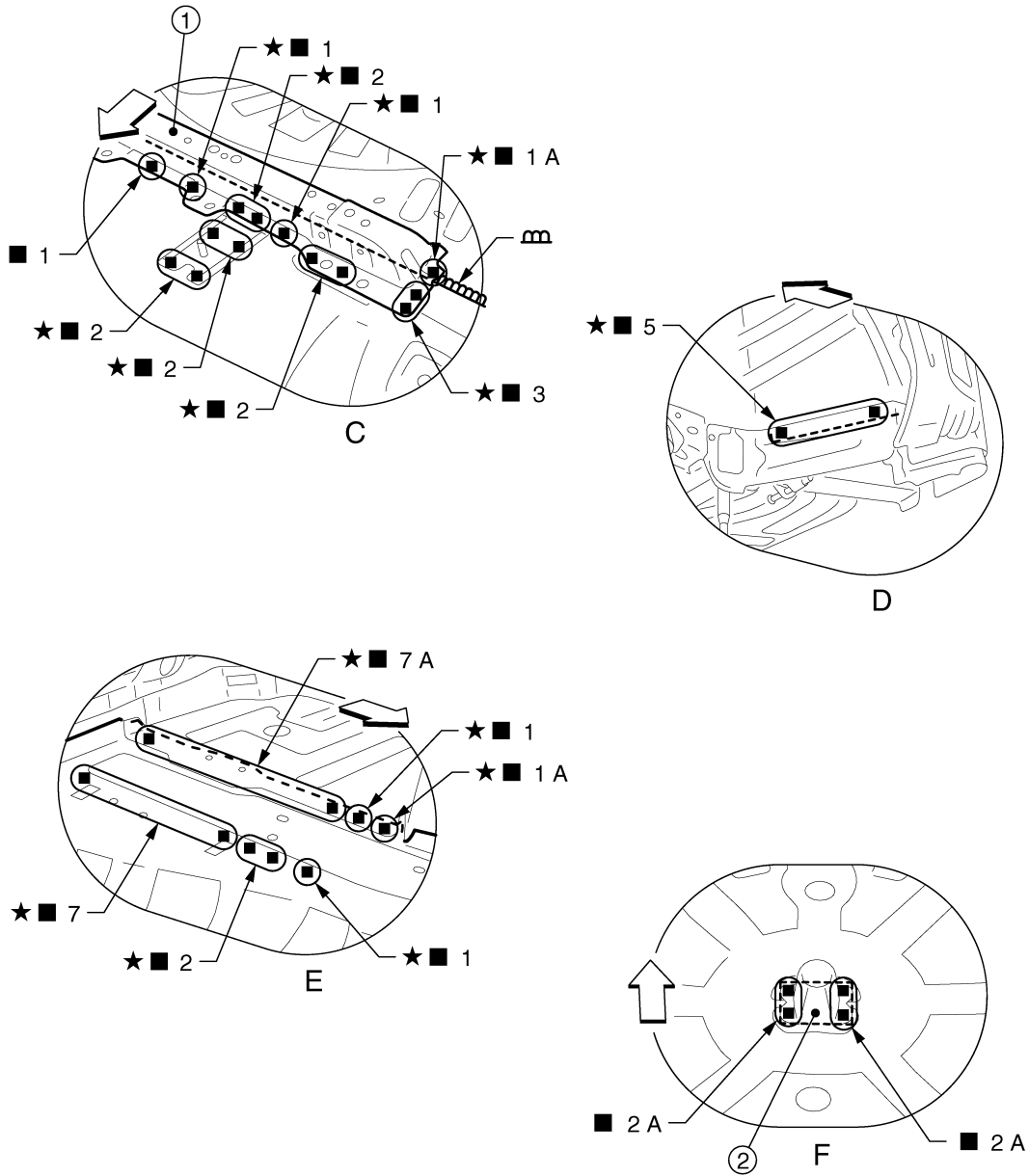
View A: Before installing rear seat back support

JSKIA1095GB

REPLACEMENT OPERATIONS

< REMOVAL AND INSTALLATION >

[FOR USA AND CANADA]



- 1. Rear seat back support
- 2. Spare wheel clamp reinforcement

↔: Vehicle front

★: An equivalent welding portion with the same dimensions is on the opposite side.

View F: Rear floor rear (replacement part), spare tire clamp bracket (replacement part), and spare wheel clamp reinforcement (replacement part)

Rear Side Member Extension

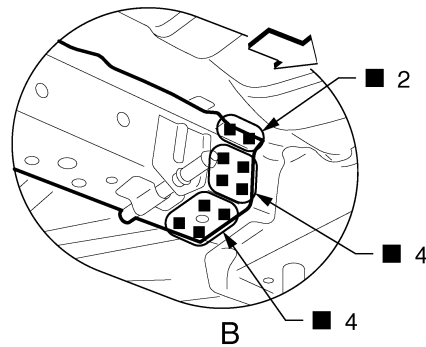
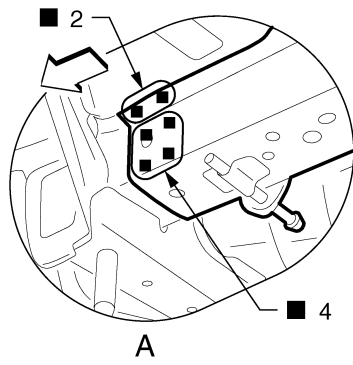
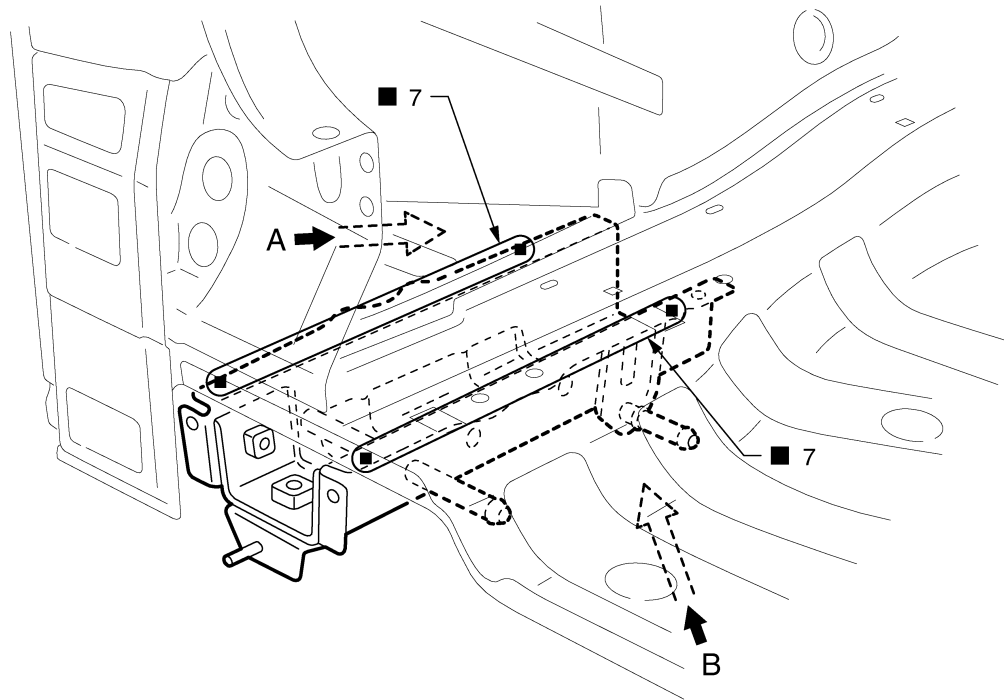
INFOID:000000009718056

Work after rear panel is removed.

REPLACEMENT OPERATIONS

< REMOVAL AND INSTALLATION >

[FOR USA AND CANADA]



←: Vehicle front

Replacement parts

- Rear side member extension (LH)

JSKIA0543ZZ

A
B
C
D
E
F
G
H
I
J
K
L
M
N
O
P

BRM

BODY ALIGNMENT

< SERVICE DATA AND SPECIFICATIONS (SDS)

[FOR USA AND CANADA]

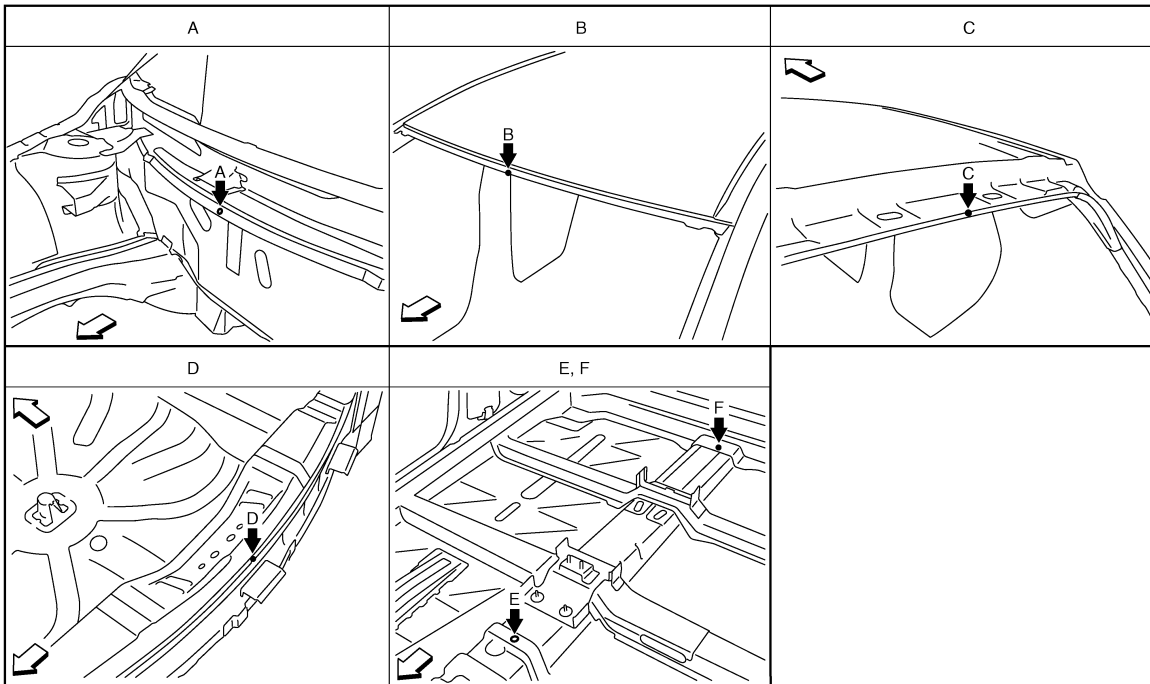
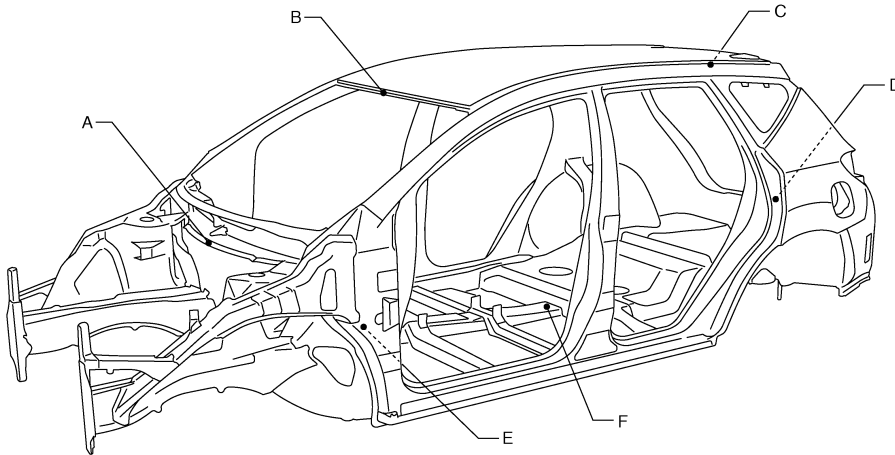
SERVICE DATA AND SPECIFICATIONS (SDS)

BODY ALIGNMENT

Body Center Marks

INFOID:000000009718057

A mark is placed on each part of the body to indicate the vehicle center. When repairing the vehicle frame (members, pillars, etc.) damaged by an accident which it enables more accurate and effective repair by using these marks together with body alignment specifications.



JSKIA0558ZZ

↶: Vehicle front

Unit: mm (in)

Points	Portion	Marks
A	Upper dash	Hole $\phi 7$ (0.28)
B	Front roof	Embossment
C	Rear roof	Indent
D	Upper rear panel	Indent

BODY ALIGNMENT

< SERVICE DATA AND SPECIFICATIONS (SDS)

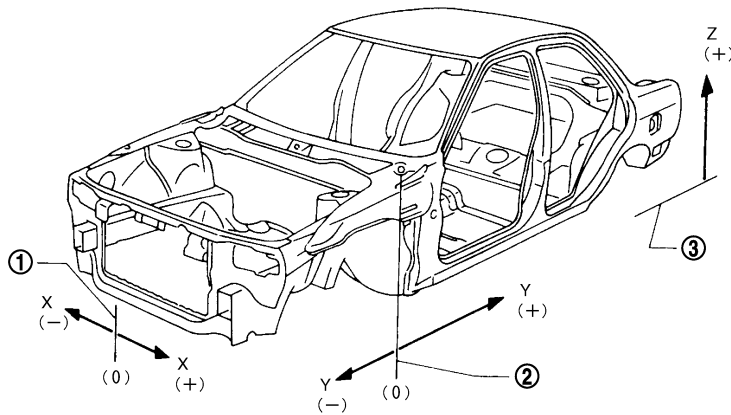
[FOR USA AND CANADA]

Points	Portion	Marks
E	Front floor reinforcement	Hole $\phi 9$ (0.35)
F	Front floor	Embossment

Description

INFOID:000000009718058

- All dimensions indicated in the figures are actual.
- When using a tracking gauge, adjust both pointers to equal length. Then check the pointers and gauge itself to make sure there is no free play.
- When a measuring tape is used, check to be sure there is no elongation, twisting or bending.
- Measurements should be taken at the center of the mounting holes.
- An asterisk (*) following the value at the measuring point indicates that the measuring point on the other side is symmetrically the same value.
- The coordinates of the measurement points are the distances measured from the standard line of "X", "Y" and "Z".
- "Z": Imaginary base line [200 mm (7.87 in) below datum line ("0Z" at design plan)]



JSKIA0073GB

1. Vehicle center

2. Front axle center

3. Imaginary base line

Engine Compartment

INFOID:000000009718059

MEASUREMENT

Dimensions marked with "*" indicate symmetrically identical dimensions on both the right and left hand of the vehicle.

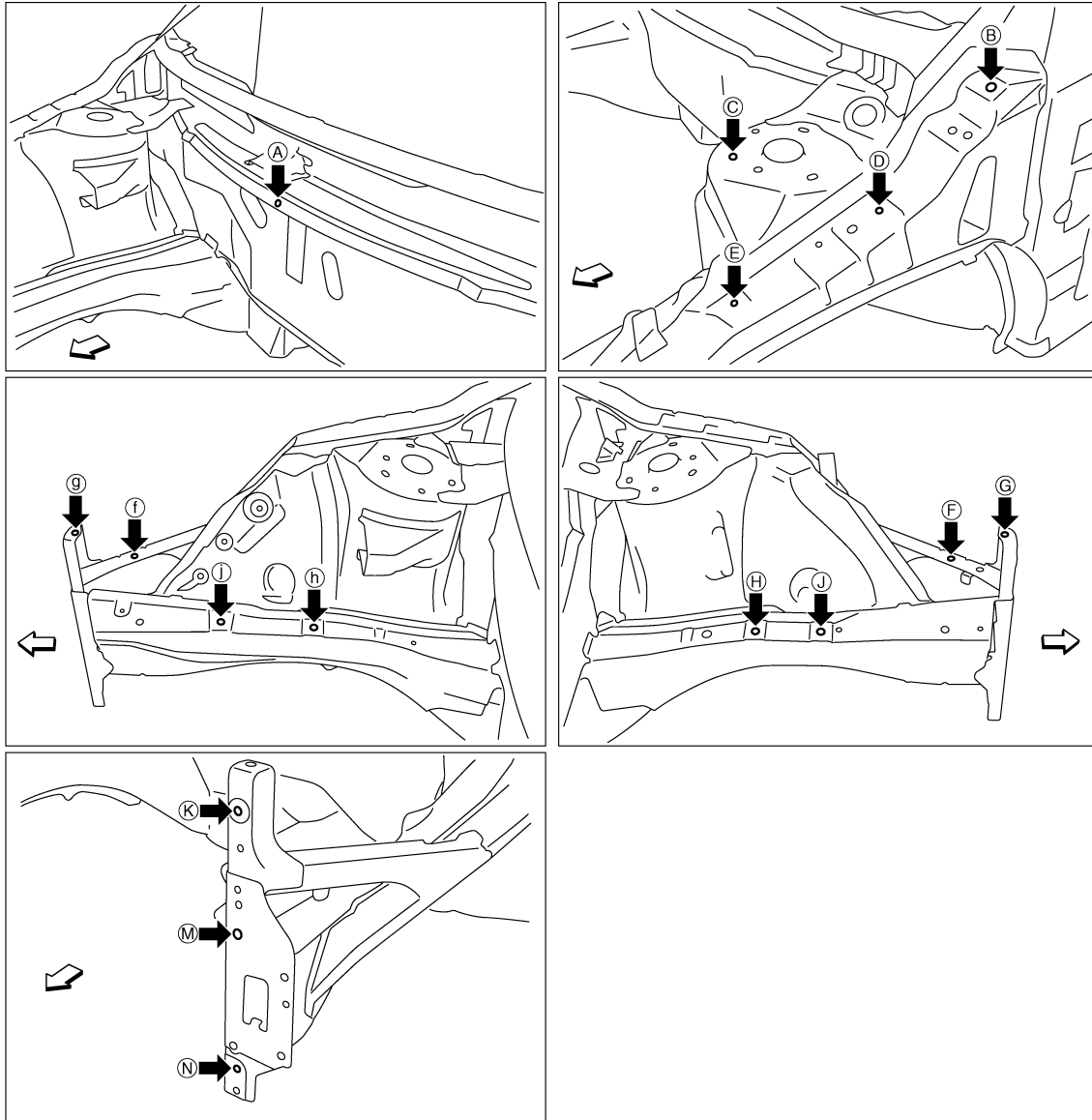
A
B
C
D
E
F
G
H
I
J
L
M
N
O
P

BRM

BODY ALIGNMENT

< SERVICE DATA AND SPECIFICATIONS (SDS)

[FOR USA AND CANADA]



A
B
C
D
E
F
G
H
I
J
L
M
N
O
P

BRM

JSKIA0545ZZ

↶ Vehicle front

Unit: mm (in)

Point	Material	Point	Material
A	Cowl top extension installing hole center of center positioning mark $\phi 7$ (0.28)	F, f	Upper radiator core support hole center $\phi 12$ (0.47)
B, b	Hood hinge installing hole center $\phi 13$ (0.51)	G, g, K, k, N, n	Front end module installing hole center $\phi 9$ (0.35)
C, c	Front strut installing hole center 16×10 (0.63×0.39)	H, h, J, j	Front side member hole center $\phi 14$ (0.55)
D, d, E, e	Upper front fender bracket installing hole center $\phi 7$ (0.28)	M, m	Bumper stay installing hole center $\phi 12$ (0.47)

Underbody

INFOID:000000009718060

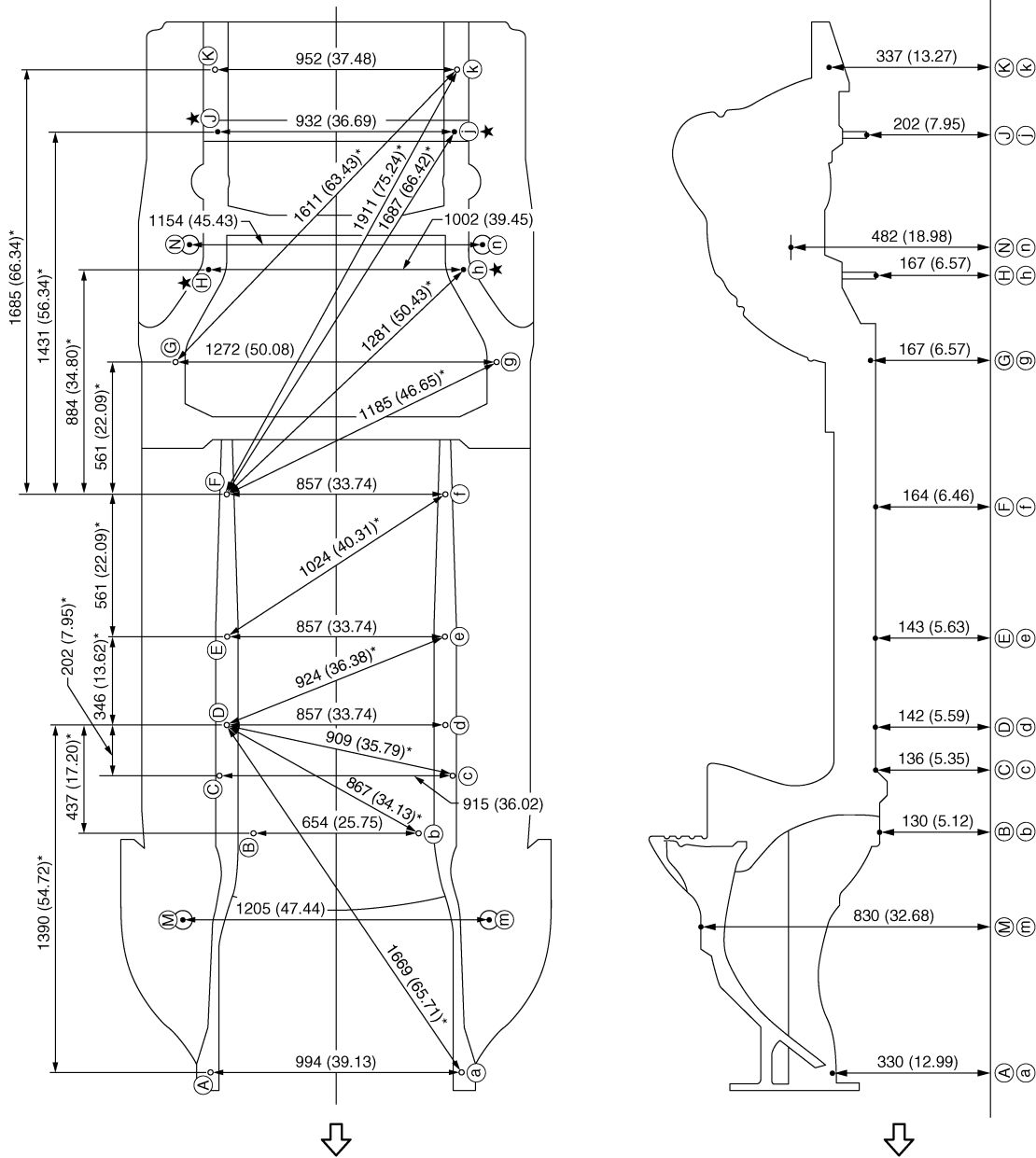
MEASUREMENT

Dimensions marked with "*" indicate symmetrically identical dimensions on both the right and left hand of the vehicle.

BODY ALIGNMENT

< SERVICE DATA AND SPECIFICATIONS (SDS)

[FOR USA AND CANADA]



JSKIA0790GB

Unit: mm (in)

↳ Vehicle front

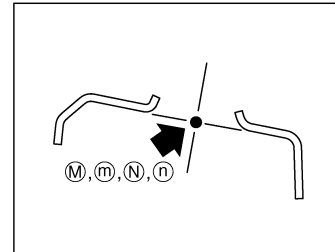
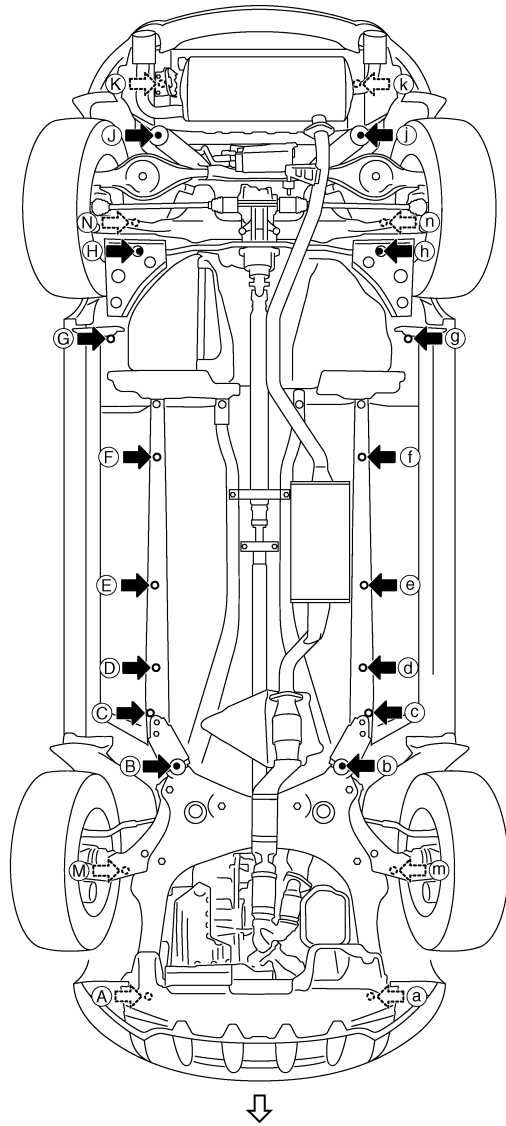
★ Bolt head

MEASUREMENT POINTS

BODY ALIGNMENT

< SERVICE DATA AND SPECIFICATIONS (SDS)

[FOR USA AND CANADA]



A
B
C
D
E
F
G
H
I
J
L
M
N
O
P

BRM

← Vehicle front

JSKIA0547GB

BODY ALIGNMENT

< SERVICE DATA AND SPECIFICATIONS (SDS)

[FOR USA AND CANADA]

Unit: mm (in)

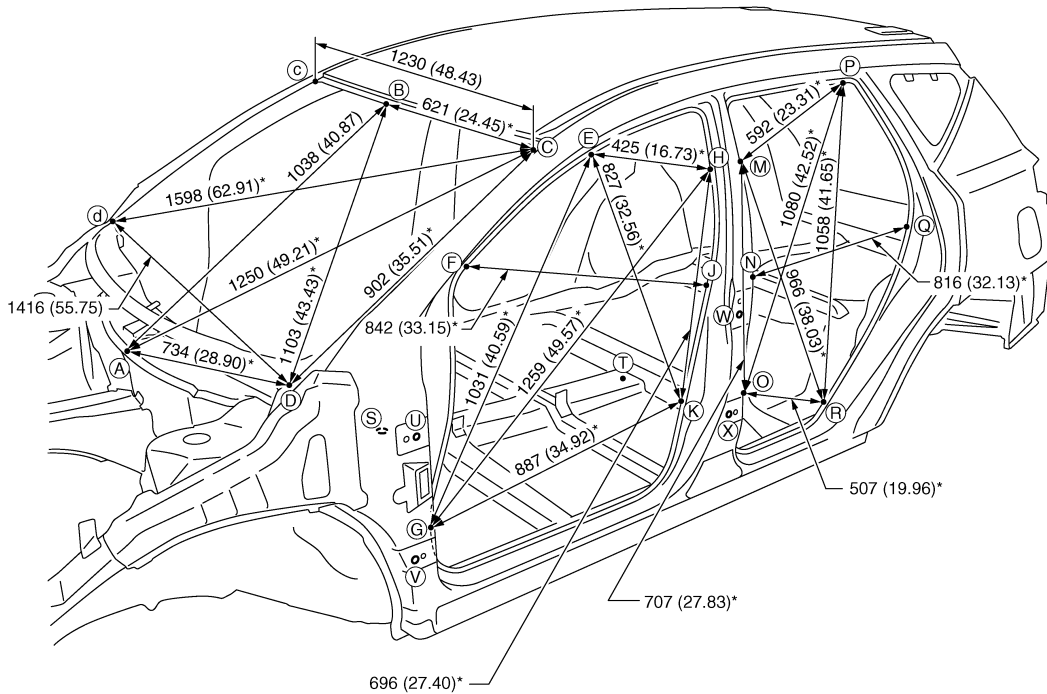
Points	Coordinates			Remarks	Points	Coordinates			Remarks
	X	Y	Z			X	Y	Z	
A, a	±497.0 (±19.567)	-555.5 (-21.870)	330.0 (12.992)	Hole φ17 (0.67)	H, h	±501.0 (±19.724)	2608.0 (102.677)	166.8 (6.567)	Bolt head
B, b	±327.0 (±12.874)	395.0 (15.551)	130.0 (5.118)	B: Hole φ28.5 (1.122) b: Hole 33.1×28.5 (1.303×1.122)	J, j	±466.0 (±18.346)	3157.0 (124.291)	202.0 (7.953)	Bolt head
C, c	±457.7 (±18.020)	620.0 (24.409)	136.0 (5.354)	Hole φ10 (0.39)	K, k	±476.0 (±18.740)	3402.0 (133.937)	336.8 (13.260)	Hole φ16 (0.63)
D, d	±428.5 (±16.870)	820.0 (32.283)	141.8 (5.583)	Hole φ16 (0.63)	M	602.7 (23.728)	52.0 (2.047)	830.3 (32.689)	Hole φ59 (2.32)
E, e	±428.5 (±16.870)	1166.0 (45.905)	143.4 (5.646)	Hole 20×16 (0.79×0.63)	m	-602.7 (-23.728)	54.4 (2.142)	830.1 (32.681)	Hole φ59 (2.32)
F, f	±428.5 (±16.870)	1727.0 (67.992)	163.6 (6.441)	Hole φ12 (0.47)	N, n	±577.0 (±22.716)	2711.6 (106.756)	482.1 (18.980)	Hole φ64 (2.52)
G, g	±636.0 (±25.039)	2248.2 (88.512)	167.0 (6.575)	Hole φ20 (0.79)					

Passenger Compartment

INFOID:000000009718061

MEASUREMENT

Dimensions marked with "*" indicate symmetrically identical dimensions on both the right and left hand of the vehicle.



JSKIA0791GB

Unit: mm (in)

«The others»

BODY ALIGNMENT

< SERVICE DATA AND SPECIFICATIONS (SDS)

[FOR USA AND CANADA]

Unit: mm (in)

Point	Dimension	Memo	Point	Dimension	Memo	Point	Dimension	Memo	Point	Dimension	Memo
E - e	1292 (50.87)		K - k	1540 (60.63)		Q - q	1519 (59.80)		T - Q	1191 (46.89)*	
E - g	1743 (68.62)*		M - m	1403 (55.24)		R - r	1537 (60.51)		T - R	811 (31.93)*	
E - h	1412 (55.59)*		M - o	1631 (64.21)*		S - E	1265 (49.80)*		U - u	1683 (66.26)	
E - k	1635 (64.37)*		M - p	1431 (56.34)*		S - F	1096 (43.15)*		U - W	1128 (44.41)*	
F - f	1456 (57.32)		M - r	1758 (69.21)*		S - G	822 (32.36)*		U - X	1118 (44.02)*	
F - j	1720 (67.72)*		N - n	1542 (60.71)		S - H	1409 (55.47)*		V - v	1706 (67.17)	
G - g	1530 (60.24)		N - q	1741 (68.54)*		S - J	1221 (48.07)*		V - W	1211 (47.68)*	
G - h	1931 (76.02)*		O - o	1540 (60.63)		S - K	1044 (41.10)*		V - X	1111 (43.74)*	
G - k	1773 (69.80)*		O - p	1741 (68.54)*		T - M	1237 (48.70)*		W - w	1688 (66.46)	
H - h	1403 (55.24)		O - r	1620 (63.78)*		T - N	1049 (41.30)*		X - x	1710 (67.32)	
H - k	1626 (64.02)*		P - p	1211 (47.68)		T - O	865 (34.06)*				
J - j	1545 (60.83)		P - r	1726 (67.95)*		T - P	1365 (53.74)*				

MEASUREMENT POINTS

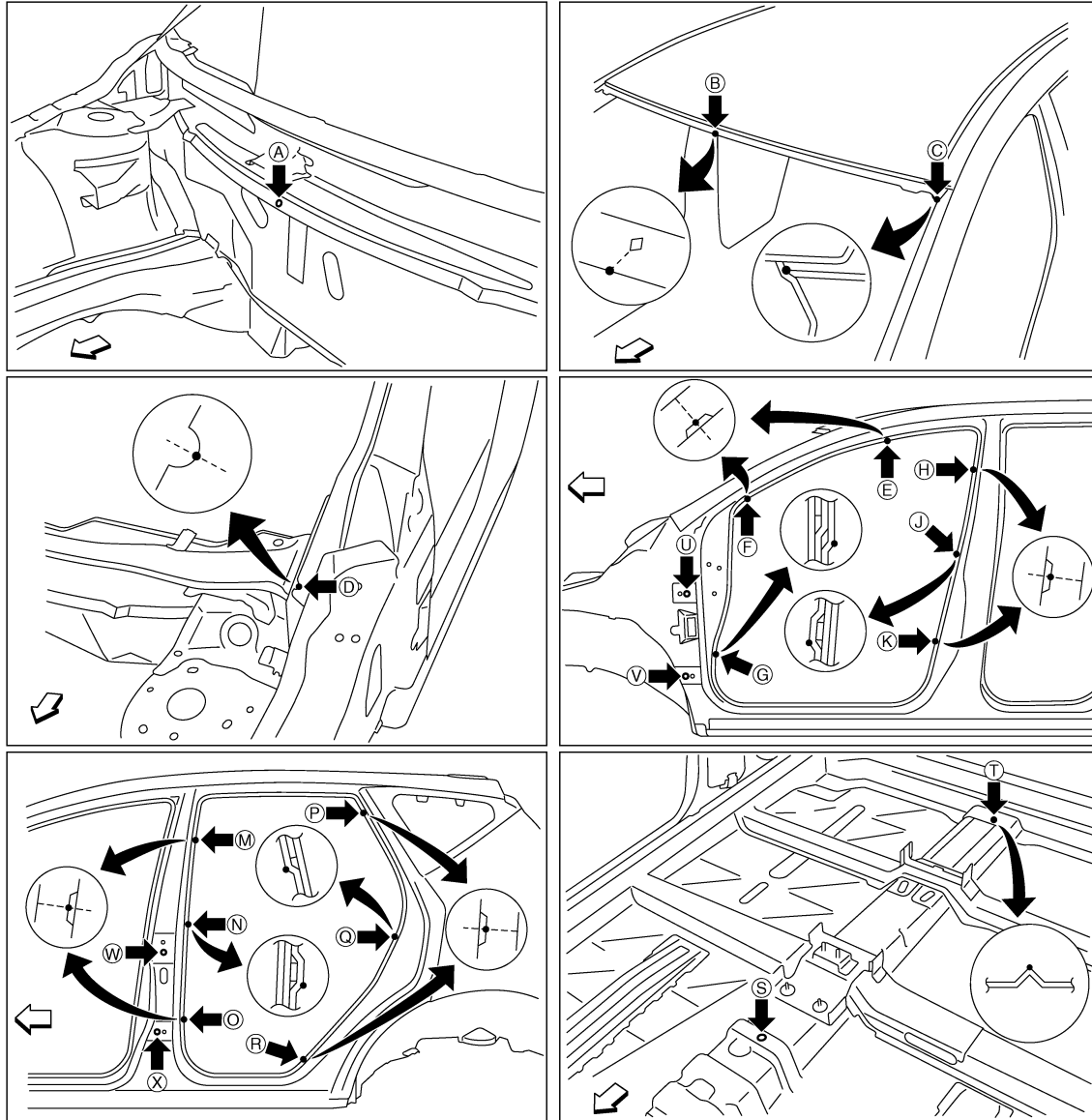
A
B
C
D
E
F
G
H
I
J
L
M
N
O
P

BRM

BODY ALIGNMENT

< SERVICE DATA AND SPECIFICATIONS (SDS)

[FOR USA AND CANADA]



JSKIA0792ZZ

↶: Vehicle front

Unit: mm (in)

Point	Material	Point	Material
A	Cowl top extension installing hole center of center positioning mark $\phi 7$ (0.28)	J, j, N, n	Inner center pillar joggle
B	Roof flange end of center positioning mark	P, p, R, r	Rear fender indent
C, c	Front pillar joggle	Q, q	Rear pillar inner joggle
D, d, E, e, F, f	Front pillar indent	S	Front floor reinforcement hole center of center positioning mark $\phi 9$ (0.35)
G, g	Side dash joggle	T	Front floor positioning mark of center positioning mark
H, h, K, k, M, m, O, o	Center pillar indent	U, u, V, v, W, w, X, x	Door hinge installing hole center U, u, V, v, X, x: $\phi 12$ (0.47) W, w: 14×12 (0.55×0.47)

BODY ALIGNMENT

< SERVICE DATA AND SPECIFICATIONS (SDS)

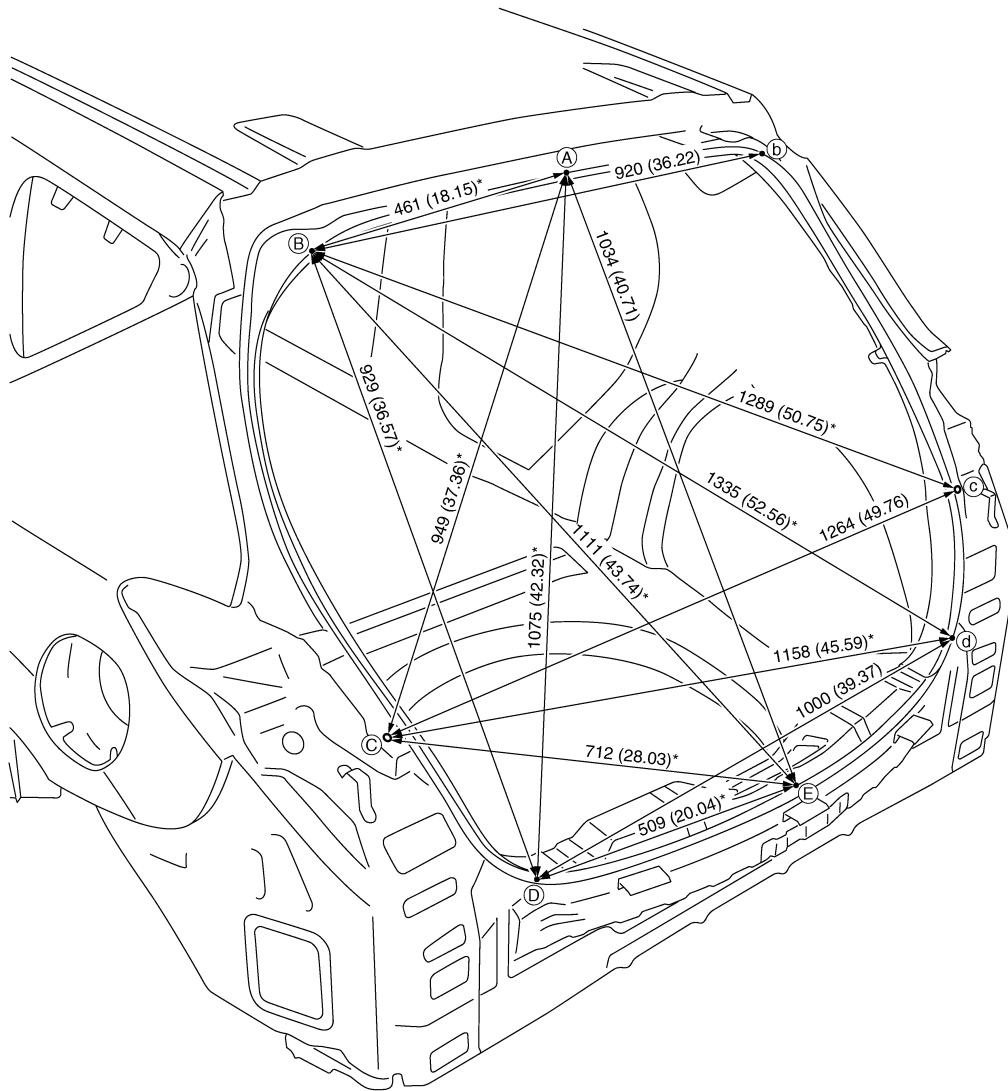
[FOR USA AND CANADA]

Rear Body

INFOID:000000009718062

MEASUREMENT

Dimensions marked with "*" indicate symmetrically identical dimensions on both the right and left hand of the vehicle.



Unit: mm (in)

MEASUREMENT POINTS

JSKIA0550GB

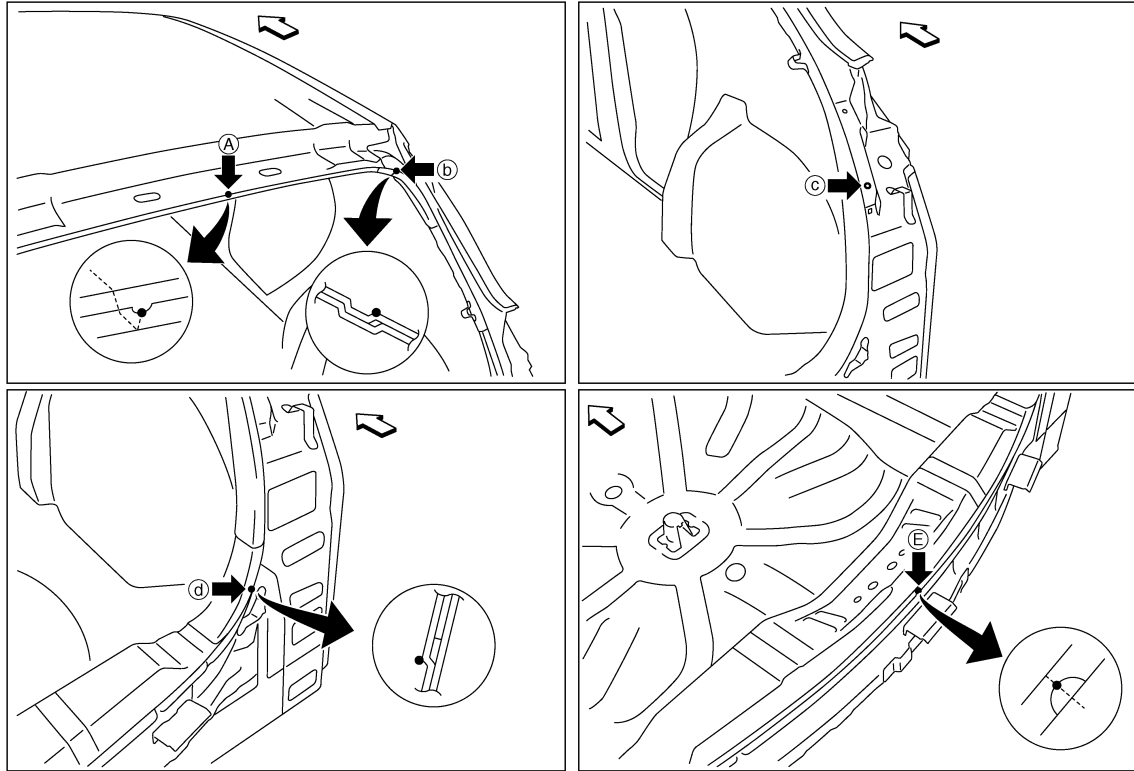
A
B
C
D
E
F
G
H
I
J
K
L
M
N
O
P

BRM

BODY ALIGNMENT

< SERVICE DATA AND SPECIFICATIONS (SDS)

[FOR USA AND CANADA]



JSKIA0551ZZ

↶: Vehicle front

Unit: mm (in)

Point	Material	Point	Material
A	Roof indent of center positioning mark	D, d	Rear fender brace joggle
B, b	Back pillar main joggle	E	Upper rear panel indent of center positioning mark
C, c	Center dovetail bracket installing hole center $\phi 7$ (0.28)		

LOCATION OF PLASTIC PARTS

< SERVICE DATA AND SPECIFICATIONS (SDS)

[FOR USA AND CANADA]

LOCATION OF PLASTIC PARTS

Precautions for Plastics

INFOID:000000009718063

Abbreviation	Material name	Heatresisting temperature °C (°F)	Resistance to gasoline and solvents	Other cautions
PE	Polyethylene	60 (140)	Gasoline and most solvents are harmless if applied for a very short time (wipe out quickly).	Flammable
ABS	Acrylonitrile Butadiene Styrene	80 (176)	Avoid gasoline and solvents.	—
EPM/EPDM	Ethylene Propylene (Diene) co-polymer	80 (176)	Gasoline and most solvents are harmless if applied for a very short time (wipe out quickly).	Flammable
PS	Polystyrene	80 (176)	Avoid solvents.	Flammable
PVC	Poly Vinyl Chloride	80 (176)	Gasoline and most solvents are harmless if applied for a very short time (wipe out quickly).	Poisonous gas is emitted when burned.
TPO	Thermoplastic Olefine	80 (176)	↑	Flammable
AAS	Acrylonitrile Acrylic Styrene	85 (185)	Avoid gasoline and solvents.	—
PMMA	Poly Methyl Methacrylate	85 (185)	↑	—
EVAC	Ethylene Vinyl Acetate	90 (194)	↑	—
PP	Polypropylene	90 (194)	Gasoline and most solvents are harmless if applied for a very short time (wipe out quickly).	Flammable, avoid battery acid.
PUR	Polyurethane	90 (194)	Avoid gasoline and solvents.	—
UP	Unsaturated Polyester	90 (194)	↑	Flammable
ASA	Acrylonitrile Styrene Acrylate	100 (212)	↑	Flammable
PPE	Poly Phenylene Ether	110 (230)	↑	—
TPU	Thermoplastic Urethane	110 (230)	↑	—
PBT+PC	Poly Butylene Terephthalate + Polycarbonate	120 (248)	↑	Flammable
PC	Polycarbonate	120 (248)	↑	—
POM	Poly Oxymethylene	120 (248)	↑	Avoid battery acid.
PA	Polyamide	140 (284)	↑	Avoid immersing in water.
PBT	Poly Butylene Terephthalate	140 (284)	↑	—
PAR	Polyarylate	180 (356)	↑	—
PET	Polyethylene terephthalate	180 (356)	↑	—
PEI	Polyetherimide	200 (392)	↑	—

CAUTION:

- When repairing and painting a portion of the body adjacent to plastic parts, consider their characteristics (influence of heat and solvent) and remove them if necessary or take suitable measures to protect them.
- Plastic parts should be repaired and painted using methods suiting the materials' characteristics.

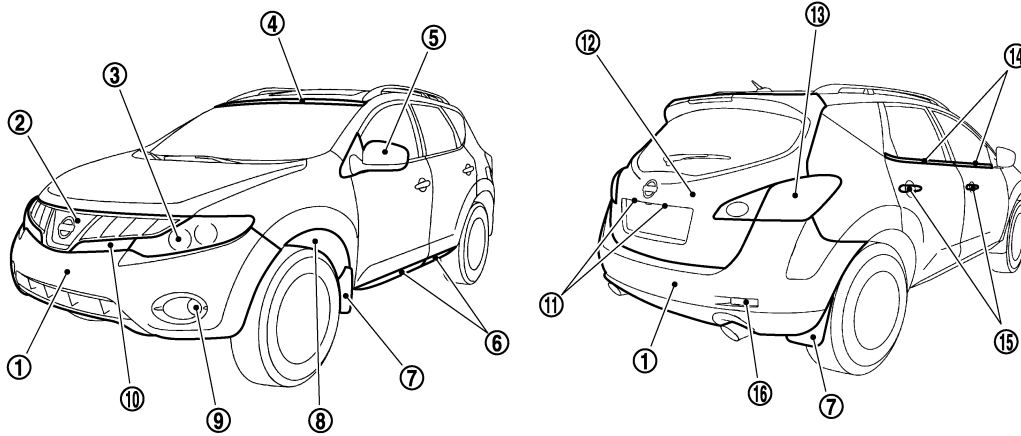
LOCATION OF PLASTIC PARTS

< SERVICE DATA AND SPECIFICATIONS (SDS)

[FOR USA AND CANADA]

Location of Plastic Parts

INFOID:000000009718064



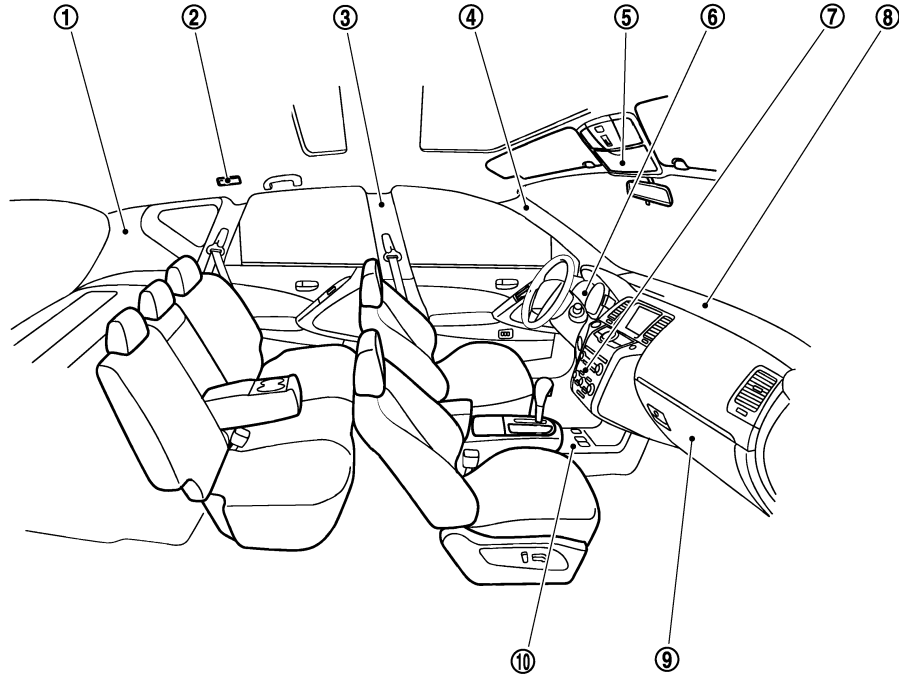
JSKIA0572ZZ

Component		Material	Component		Material		
1	Bumper fascia	PP + EPM	10	Front combination lamp extension	Lens	PMMA	
2	Radiator grille	ABS			Housing	AAS	
3	Front combination lamp	Lens	11	License plate lamp	Lens	PC	
		Housing			PP	Housing	PC
4	Windshield molding	EPDM	12	Back door	Outer	PP	
5	Door outside mirror	Cover			ABS	Inner	PP
		Housing	ABS	13	Rear combination lamp (Rear fender)	Lens	PMMA
		Base	ABS			Housing	ABS
6	Side guard molding	PP	13	Rear combination lamp (Back door)	Lens	PMMA	
7	Mudguard	TPO			Housing	AAS	
8	Fender Protector	Front	PP	14	Door outside molding	PVC + Stainless	
		Rear	PET	15	Door outside handle	PC + ABS	
9	Front fog lamp	Lens	Glass	16	Reflex reflector	Lens	PMMA
		Housing	PBT + ASA + Glass fiber			Housing	ABS

LOCATION OF PLASTIC PARTS

< SERVICE DATA AND SPECIFICATIONS (SDS)

[FOR USA AND CANADA]



JSKIA0573ZZ

Component		Material	Component		Material	
1	Luggage side finisher	PP	6	Cluster lid A	ABS	
2	Personal lamp	Lens	PC	7	Cluster lid C	PC + ABS
		Housing	PP	8	Instrument panel	PP
3	Center pillar garnish	PP	9	Glove box	PP	
4	Front pillar garnish	PP	10	Center console	PP	
5	Map lamp	Lens	PC			
		Housing	PP			

A
B
C
D
E
F
G
H
I
J
K
L
M
N
O
P

BRM

BODY ALIGNMENT

< SERVICE DATA AND SPECIFICATIONS (SDS)

[FOR MEXICO]

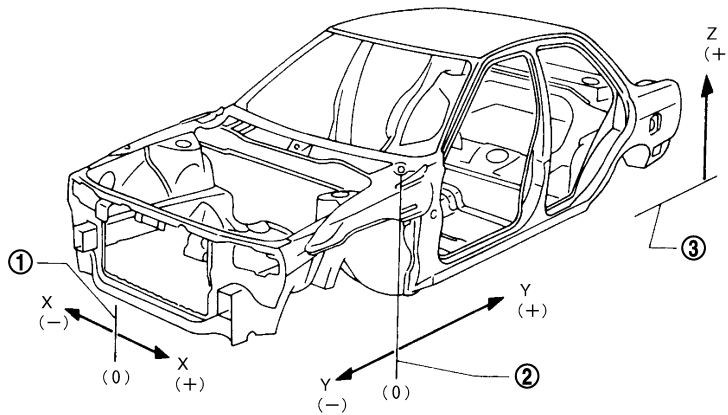
SERVICE DATA AND SPECIFICATIONS (SDS)

BODY ALIGNMENT

Description

INFOID:000000009718065

- All dimensions indicated in the figures are actual.
- When using a tracking gauge, adjust both pointers to equal length. Then check the pointers and gauge itself to make sure there is no free play.
- When a measuring tape is used, check to be sure there is no elongation, twisting or bending.
- Measurements should be taken at the center of the mounting holes.
- An asterisk (*) following the value at the measuring point indicates that the measuring point on the other side is symmetrically the same value.
- The coordinates of the measurement points are the distances measured from the standard line of "X", "Y" and "Z".
- "Z": Imaginary base line [200 mm (7.87 in) below datum line ("0Z" at design plan)]



JSKIA0073GB

1. Vehicle center

2. Front axle center

3. Imaginary base line

Engine Compartment

INFOID:000000009718066

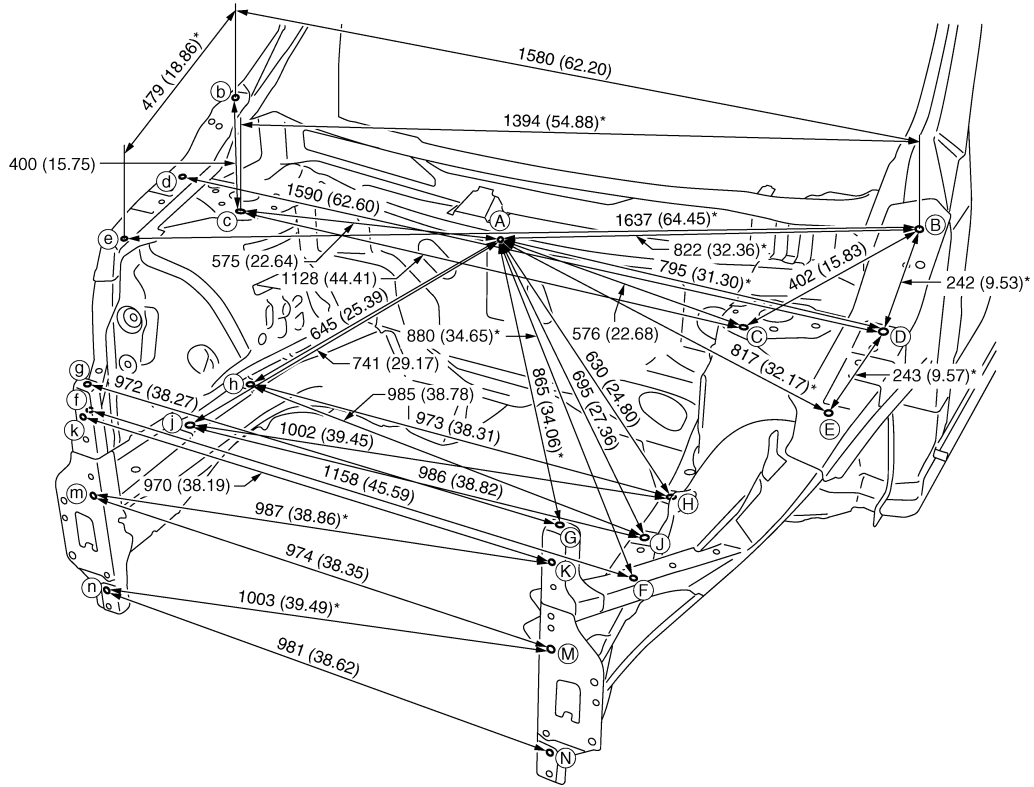
MEASUREMENT

Dimensions marked with "*" indicate symmetrically identical dimensions on both the right and left hand of the vehicle.

BODY ALIGNMENT

< SERVICE DATA AND SPECIFICATIONS (SDS)

[FOR MEXICO]



A
B
C
D
E
F
G
H
I
J

BRM

L
M
N
O
P

JSKIA0544GB

Unit: mm (in)

«The others»

Unit: mm (in)

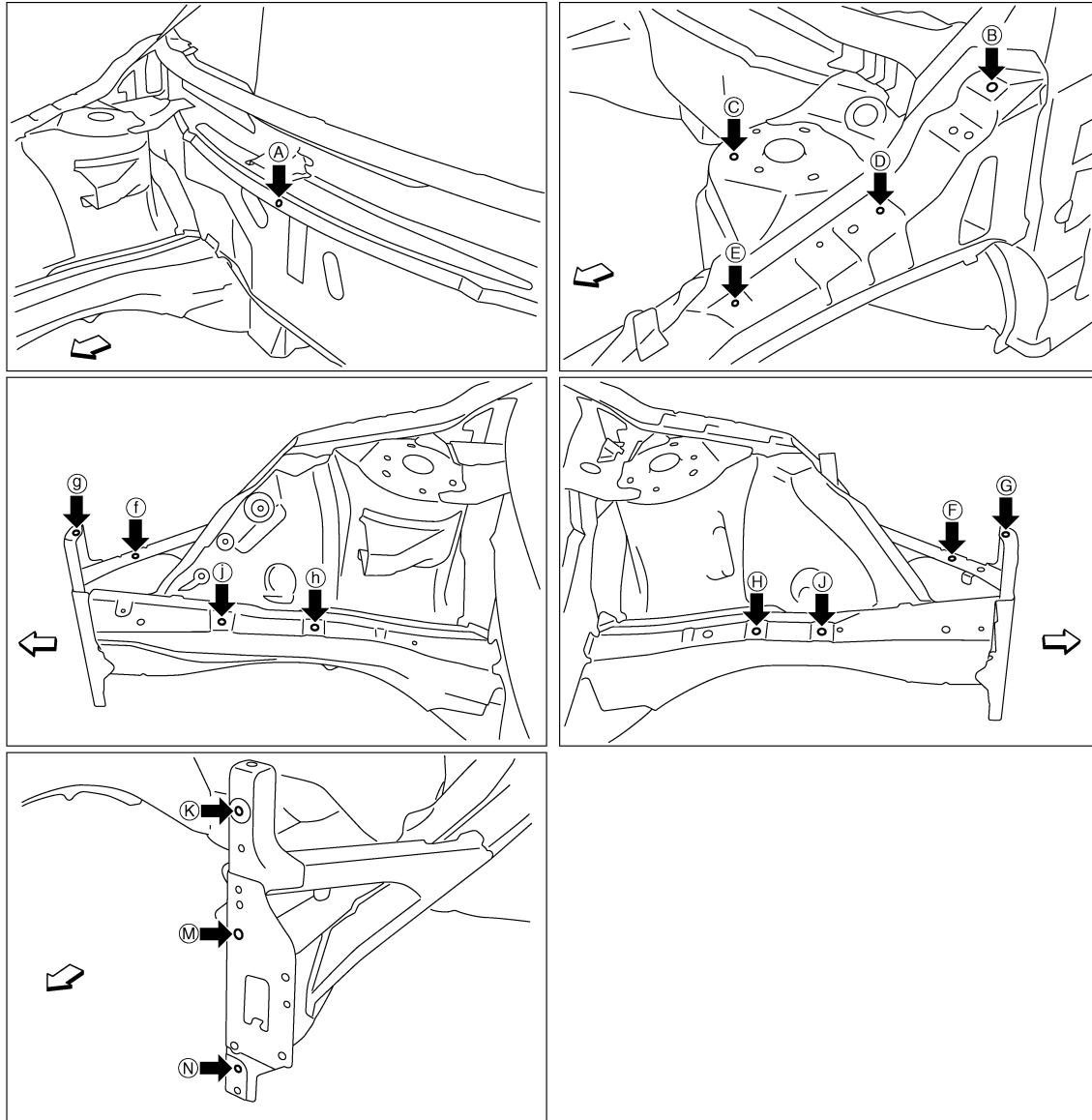
Point	Dimension	Memo	Point	Dimension	Memo	Point	Dimension	Memo	Point	Dimension	Memo
B - c	1394 (54.88)*		E - e	1550 (61.02)							

MEASUREMENT POINTS

BODY ALIGNMENT

< SERVICE DATA AND SPECIFICATIONS (SDS)

[FOR MEXICO]



JSKIA0545ZZ

↶: Vehicle front

Unit: mm (in)

Point	Material	Point	Material
A	Cowl top extension installing hole center of center positioning mark $\phi 7$ (0.28)	F, f	Upper radiator core support hole center $\phi 12$ (0.47)
B, b	Hood hinge installing hole center $\phi 13$ (0.51)	G, g, K, k, N, n	Front end module installing hole center $\phi 9$ (0.35)
C, c	Front strut installing hole center 16×10 (0.63×0.39)	H, h, J, j	Front side member hole center $\phi 14$ (0.55)
D, d, E, e	Upper front fender bracket installing hole center $\phi 7$ (0.28)	M, m	Bumper stay installing hole center $\phi 12$ (0.47)

Underbody

INFOID:000000009718067

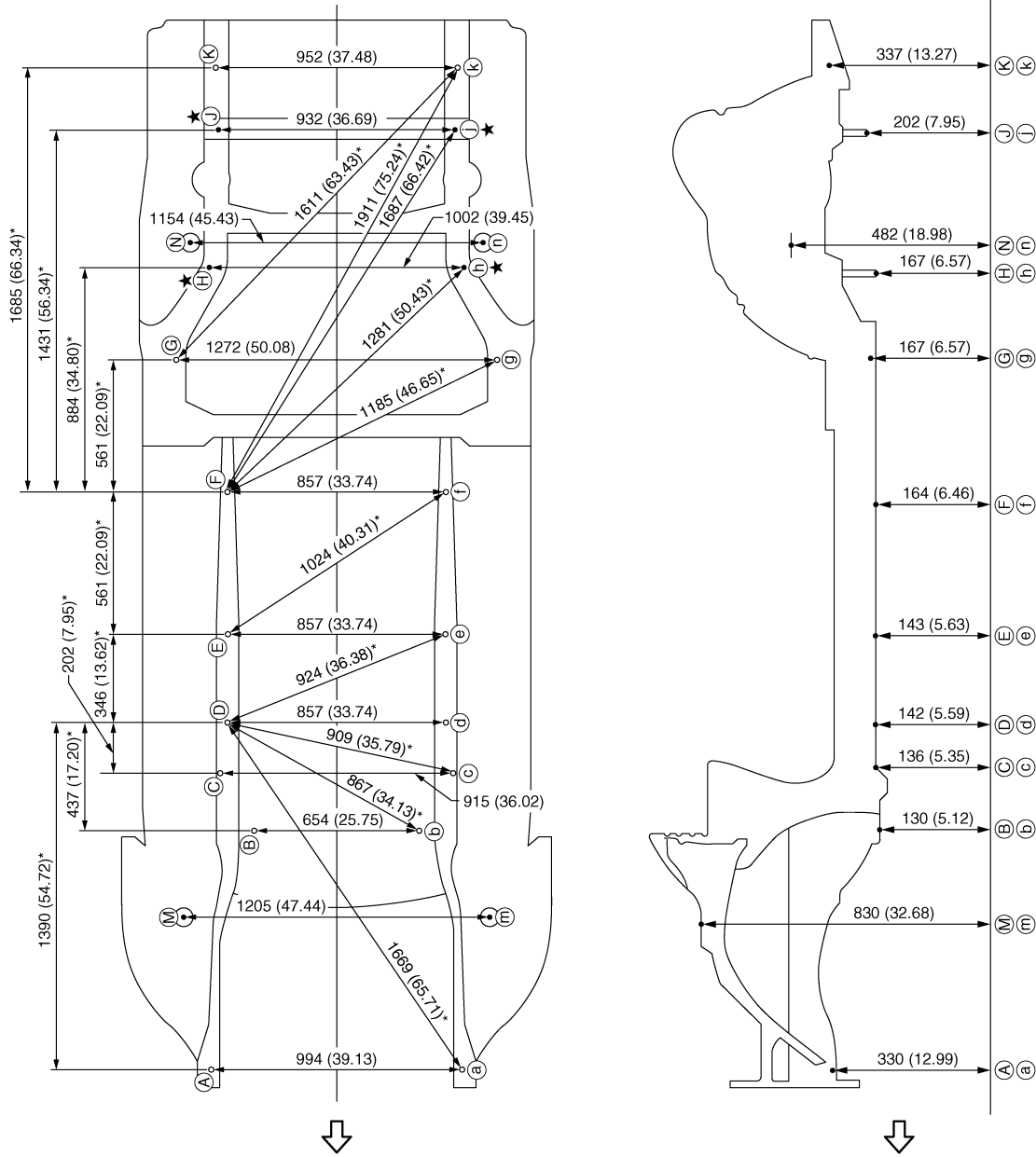
MEASUREMENT

Dimensions marked with "*" indicate symmetrically identical dimensions on both the right and left hand of the vehicle.

BODY ALIGNMENT

< SERVICE DATA AND SPECIFICATIONS (SDS)

[FOR MEXICO]



Unit: mm (in)
 ↙: Vehicle front
 ★: Bolt head

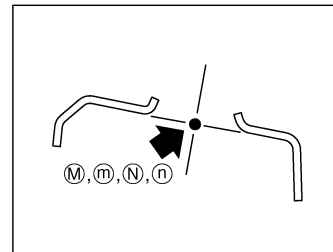
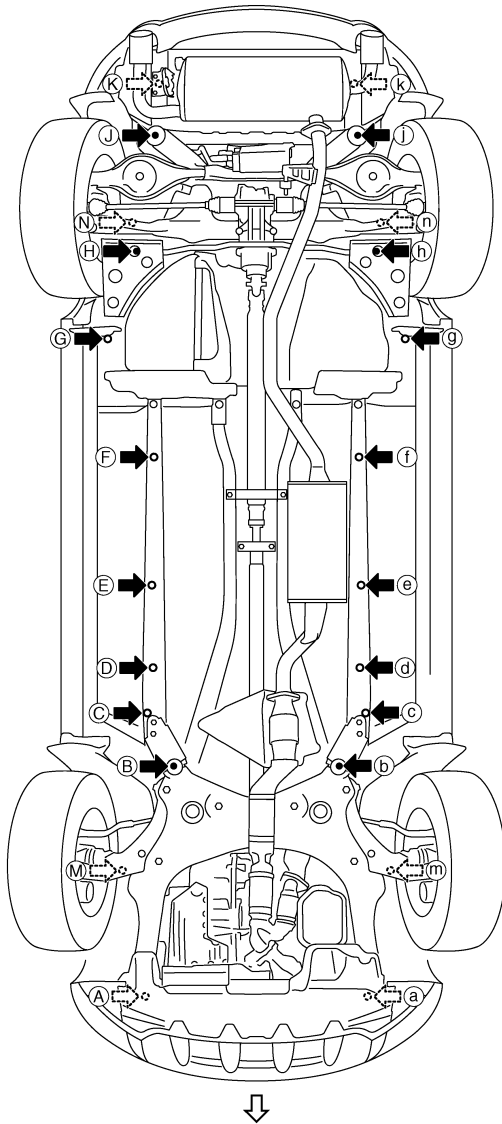
MEASUREMENT POINTS

JSKIA0790GB

BODY ALIGNMENT

< SERVICE DATA AND SPECIFICATIONS (SDS)

[FOR MEXICO]



JSKIA0547GB

←: Vehicle front

BODY ALIGNMENT

< SERVICE DATA AND SPECIFICATIONS (SDS)

[FOR MEXICO]

Unit: mm (in)

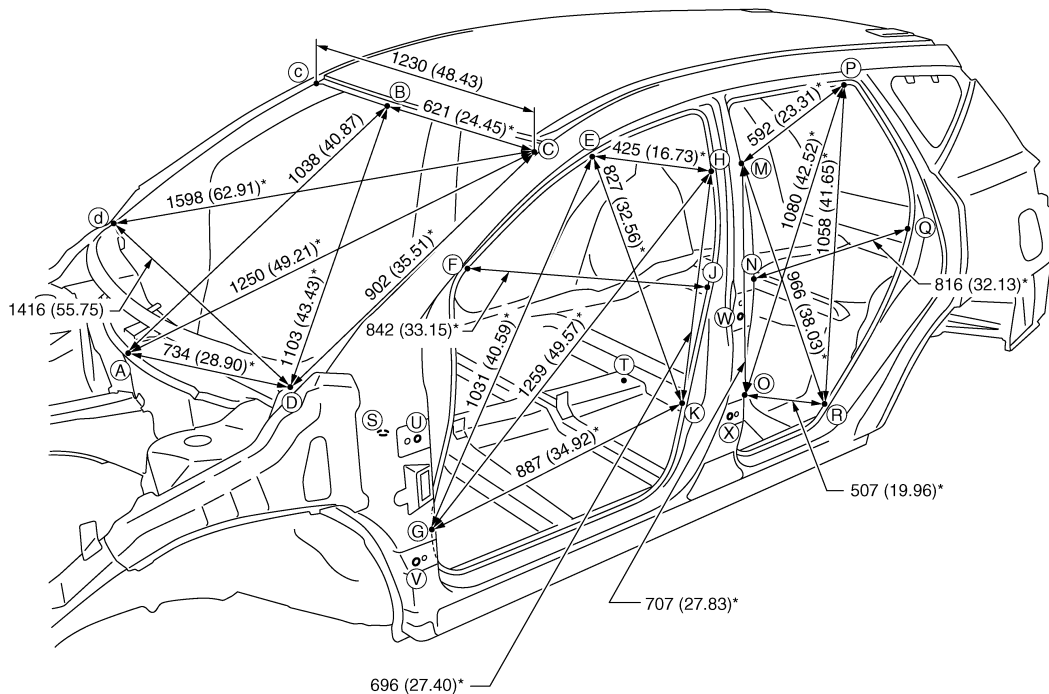
Points	Coordinates			Remarks	Points	Coordinates			Remarks
	X	Y	Z			X	Y	Z	
A, a	±497.0 (±19.567)	-555.5 (-21.870)	330.0 (12.992)	Hole φ17 (0.67)	H, h	±501.0 (±19.724)	2608.0 (102.677)	166.8 (6.567)	Bolt head
B, b	±327.0 (±12.874)	395.0 (15.551)	130.0 (5.118)	B: Hole φ28.5 (1.122) b: Hole 33.1×28.5 (1.303×1.122)	J, j	±466.0 (±18.346)	3157.0 (124.291)	202.0 (7.953)	Bolt head
C, c	±457.7 (±18.020)	620.0 (24.409)	136.0 (5.354)	Hole φ10 (0.39)	K, k	±476.0 (±18.740)	3402.0 (133.937)	336.8 (13.260)	Hole φ16 (0.63)
D, d	±428.5 (±16.870)	820.0 (32.283)	141.8 (5.583)	Hole φ16 (0.63)	M	602.7 (23.728)	52.0 (2.047)	830.3 (32.689)	Hole φ59 (2.32)
E, e	±428.5 (±16.870)	1166.0 (45.905)	143.4 (5.646)	Hole 20×16 (0.79×0.63)	m	-602.7 (-23.728)	54.4 (2.142)	830.1 (32.681)	Hole φ59 (2.32)
F, f	±428.5 (±16.870)	1727.0 (67.992)	163.6 (6.441)	Hole φ12 (0.47)	N, n	±577.0 (±22.716)	2711.6 (106.756)	482.1 (18.980)	Hole φ64 (2.52)
G, g	±636.0 (±25.039)	2248.2 (88.512)	167.0 (6.575)	Hole φ20 (0.79)					

Passenger Compartment

INFOID:000000009718068

MEASUREMENT

Dimensions marked with "*" indicate symmetrically identical dimensions on both the right and left hand of the vehicle.



JSKIA0791GB

Unit: mm (in)

«The others»

Revision: 2013 August

BRM-63

2014 MURANO

A
B
C
D
E
F
G
H
I
J
L
M
N
O
P

BRM

BODY ALIGNMENT

< SERVICE DATA AND SPECIFICATIONS (SDS)

[FOR MEXICO]

Unit: mm (in)

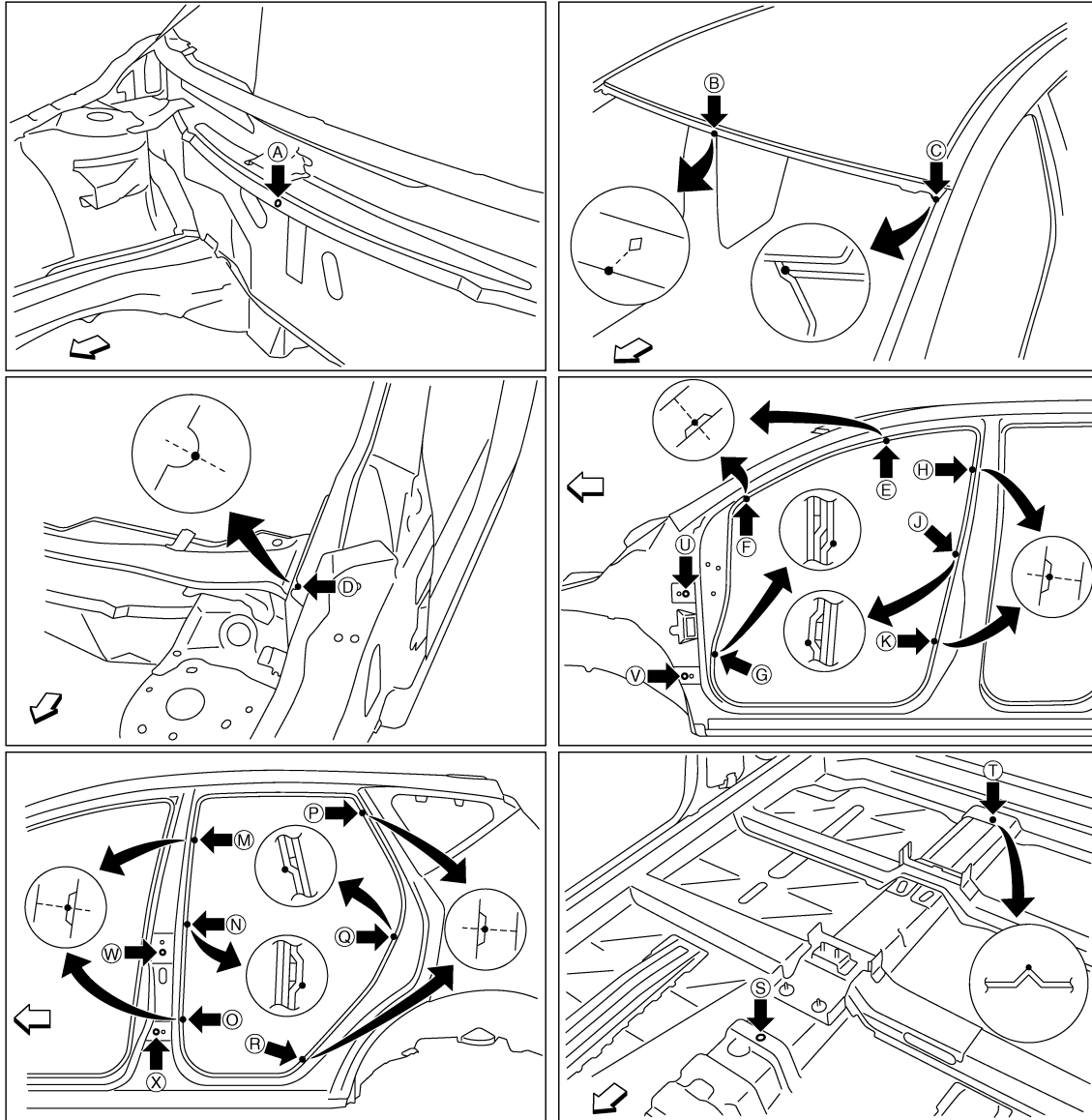
Point	Dimension	Memo	Point	Dimension	Memo	Point	Dimension	Memo	Point	Dimension	Memo
E - e	1292 (50.87)		K - k	1540 (60.63)		Q - q	1519 (59.80)		T - Q	1191 (46.89)*	
E - g	1743 (68.62)*		M - m	1403 (55.24)		R - r	1537 (60.51)		T - R	811 (31.93)*	
E - h	1412 (55.59)*		M - o	1631 (64.21)*		S - E	1265 (49.80)*		U - u	1683 (66.26)	
E - k	1635 (64.37)*		M - p	1431 (56.34)*		S - F	1096 (43.15)*		U - W	1128 (44.41)*	
F - f	1456 (57.32)		M - r	1758 (69.21)*		S - G	822 (32.36)*		U - X	1118 (44.02)*	
F - j	1720 (67.72)*		N - n	1542 (60.71)		S - H	1409 (55.47)*		V - v	1706 (67.17)	
G - g	1530 (60.24)		N - q	1741 (68.54)*		S - J	1221 (48.07)*		V - W	1211 (47.68)*	
G - h	1931 (76.02)*		O - o	1540 (60.63)		S - K	1044 (41.10)*		V - X	1111 (43.74)*	
G - k	1773 (69.80)*		O - p	1741 (68.54)*		T - M	1237 (48.70)*		W - w	1688 (66.46)	
H - h	1403 (55.24)		O - r	1620 (63.78)*		T - N	1049 (41.30)*		X - x	1710 (67.32)	
H - k	1626 (64.02)*		P - p	1211 (47.68)		T - O	865 (34.06)*				
J - j	1545 (60.83)		P - r	1726 (67.95)*		T - P	1365 (53.74)*				

MEASUREMENT POINTS

BODY ALIGNMENT

< SERVICE DATA AND SPECIFICATIONS (SDS)

[FOR MEXICO]



JSKIA0792ZZ

←: Vehicle front

Unit: mm (in)

Point	Material	Point	Material
A	Cowl top extension installing hole center of center positioning mark $\phi 7$ (0.28)	J, j, N, n	Inner center pillar joggle
B	Roof flange end of center positioning mark	P, p, R, r	Rear fender indent
C, c	Front pillar joggle	Q, q	Rear pillar inner joggle
D, d, E, e, F, f	Front pillar indent	S	Front floor reinforcement hole center of center positioning mark $\phi 9$ (0.35)
G, g	Side dash joggle	T	Front floor positioning mark of center positioning mark
H, h, K, k, M, m, O, o	Center pillar indent	U, u, V, v, W, w, X, x	Door hinge installing hole center U, u, V, v, X, x: $\phi 12$ (0.47) W, w: 14×12 (0.55×0.47)

A
B
C
D
E
F
G
H
I
J
K
L
M
N
O
P

BRM

BODY ALIGNMENT

< SERVICE DATA AND SPECIFICATIONS (SDS)

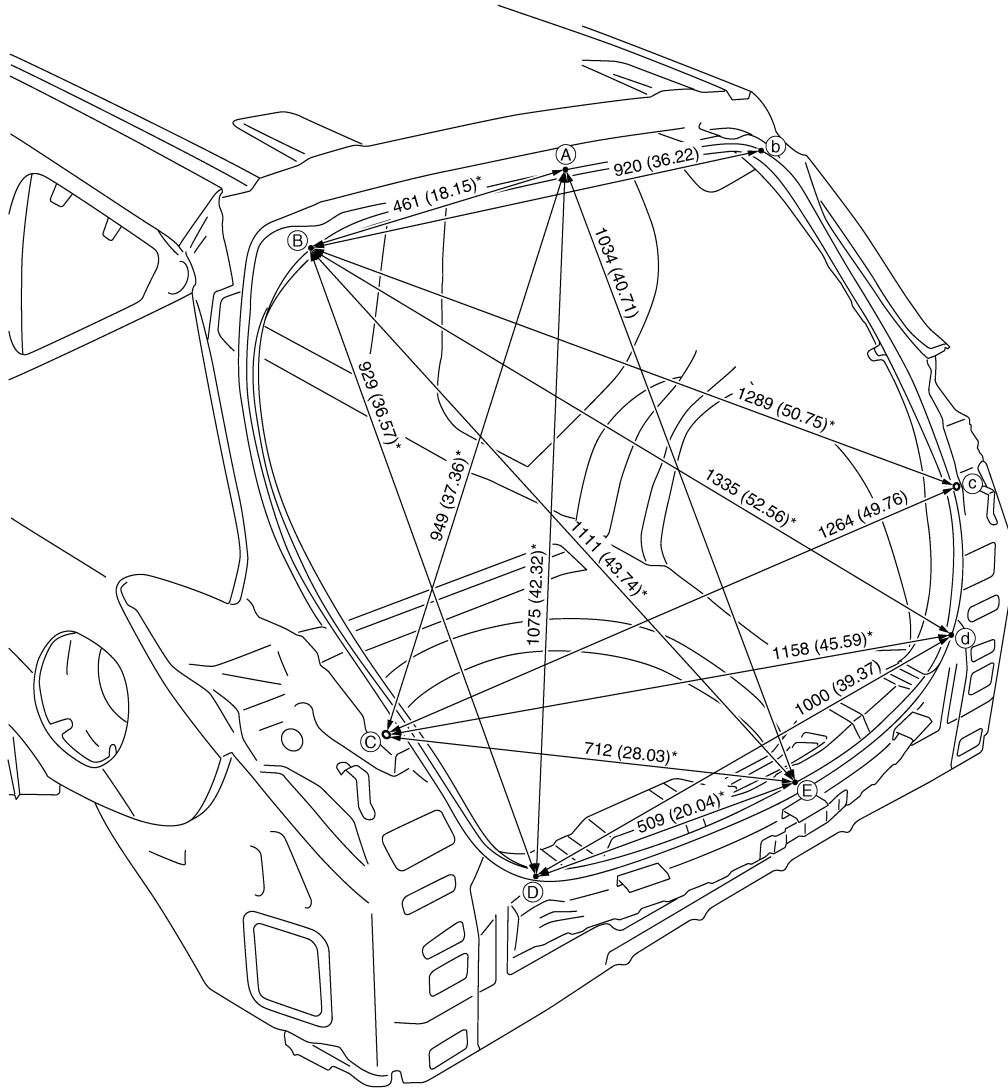
[FOR MEXICO]

Rear Body

INFOID:000000009718069

MEASUREMENT

Dimensions marked with "*" indicate symmetrically identical dimensions on both the right and left hand of the vehicle.



JSKIA0550GB

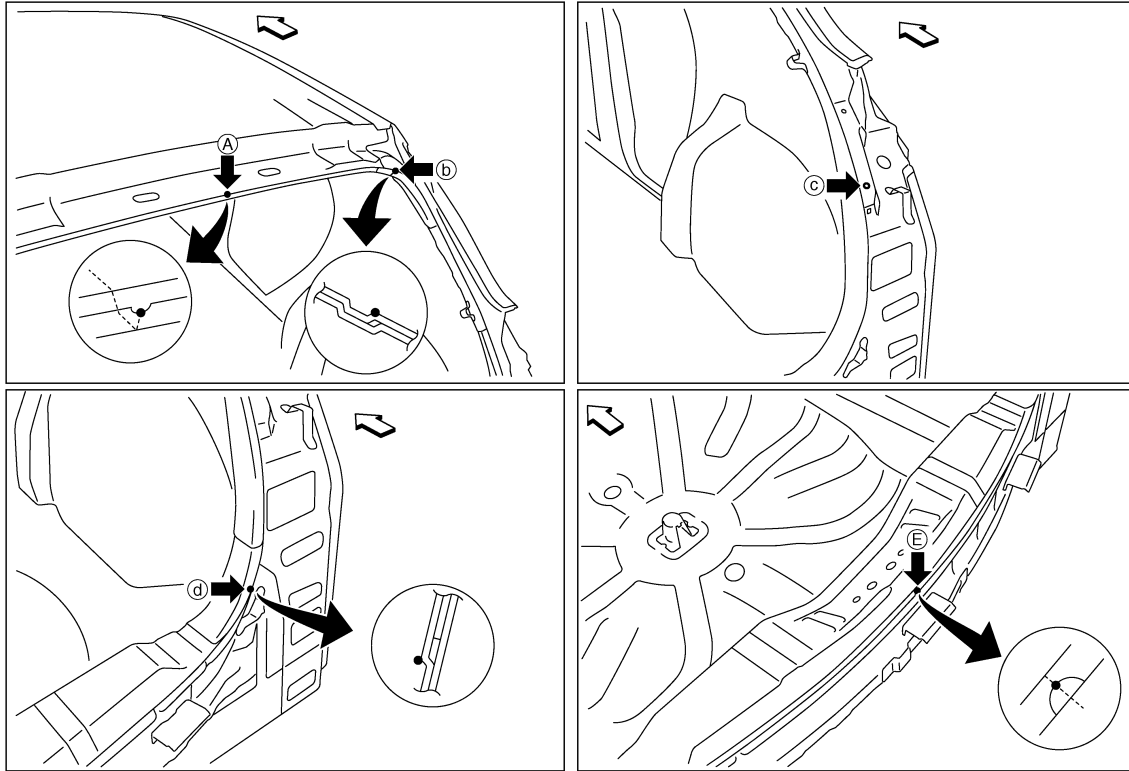
Unit: mm (in)

MEASUREMENT POINTS

BODY ALIGNMENT

< SERVICE DATA AND SPECIFICATIONS (SDS)

[FOR MEXICO]



JSKIA0551ZZ

←: Vehicle front

Unit: mm (in)

Point	Material	Point	Material
A	Roof indent of center positioning mark	D, d	Rear fender brace joggle
B, b	Back pillar main joggle	E	Upper rear panel indent of center positioning mark
C, c	Center dovetail bracket installing hole center $\phi 7$ (0.28)		

A
B
C
D
E
F
G
H
I
J
L
M
N
O
P

BRM